



RHINO-RACK®

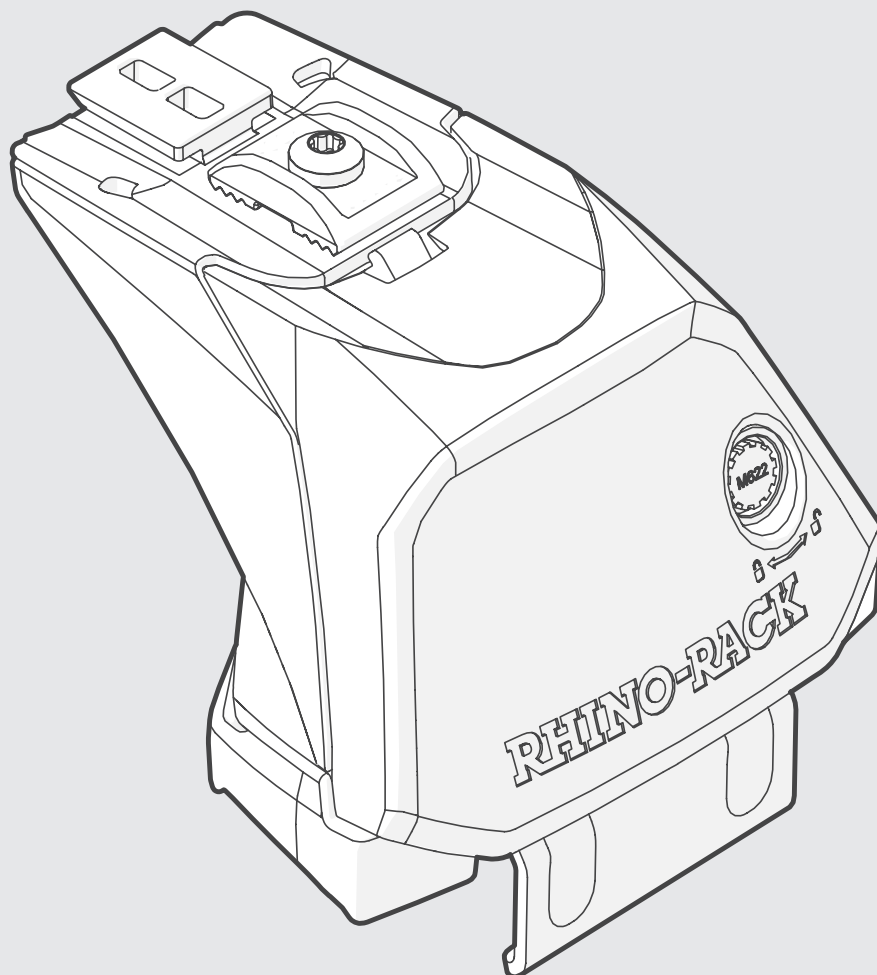
Leg Instructions

RX200

Important:

1. Check the Rhino-Rack website to ensure you have the latest issue of these instructions.
2. Please refer to your fitting instruction to ensure that the roof racks are installed in the correct locations.
3. Check the contents of kit before commencing fitment and report any discrepancies.
4. These instructions must be followed for warranty to be upheld.

Fit Time: 15 mins



Thank you for choosing Rhino-Rack!



WELCOME TO THE HERD.

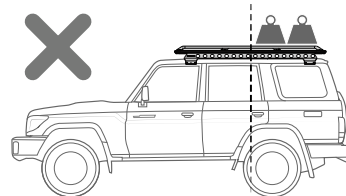
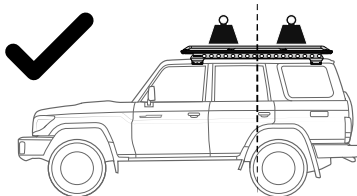
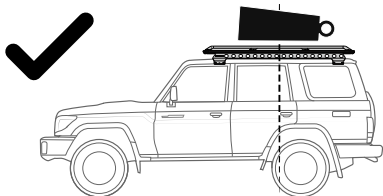
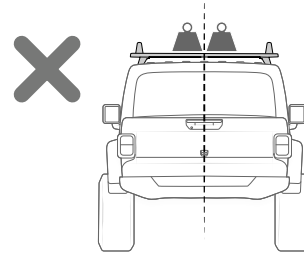
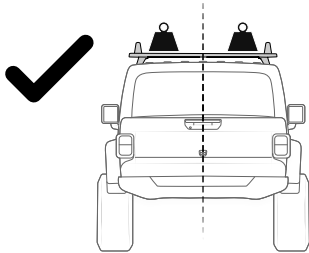
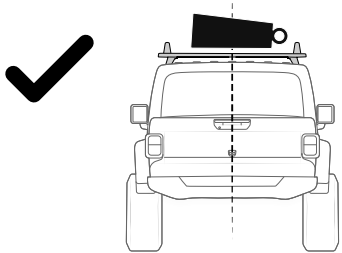
For peace of mind register your product by heading to rhinorack.com/register

RHINORACK.COM

Doc. No: 520-RFI-00189

Issue No: 04

Issue Date: 03/02/2025

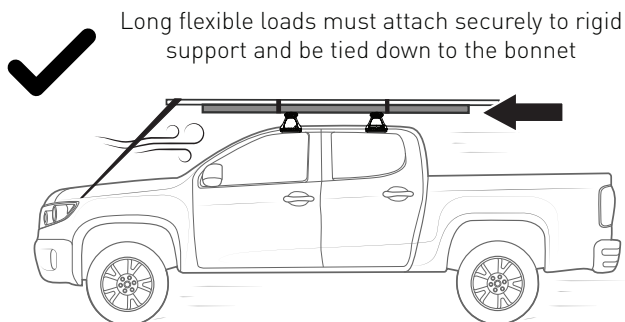
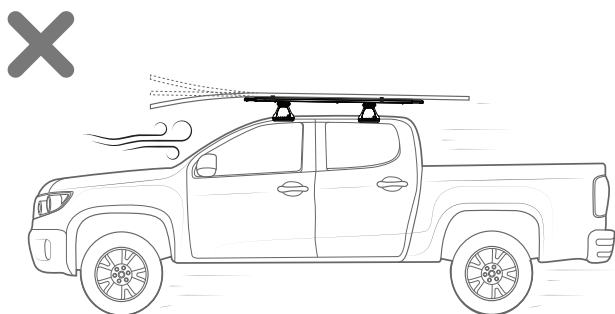
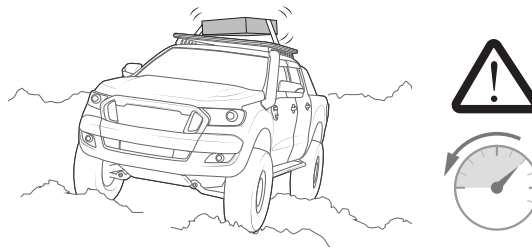
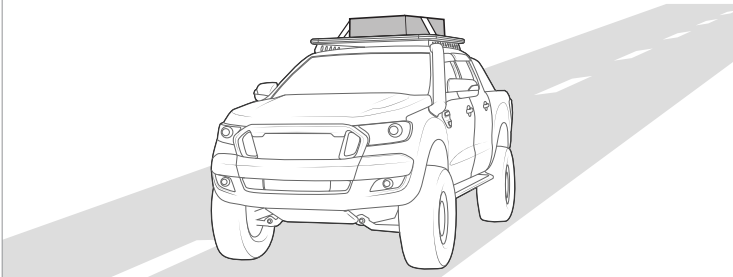


Distribute loads evenly and laterally/longitudinally as low as possible over the span.

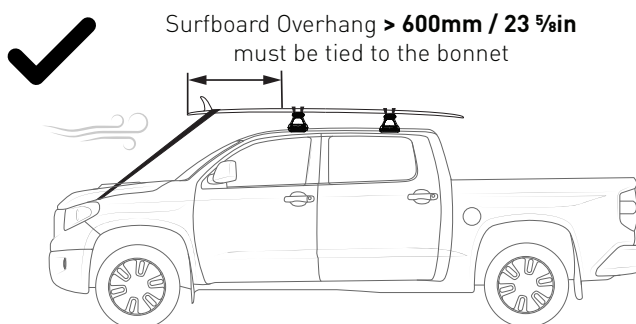
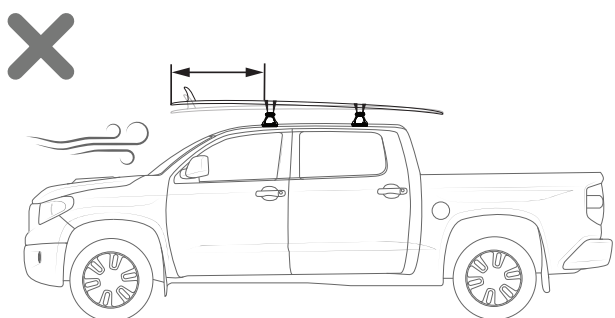
Avoid point loads concentrated at the front or rear.

Exercise extreme care when transporting wind-resistant loads. Special consideration must be taken when cornering and braking.

Off-road conditions can be much more rigorous. Extreme care must be taken on any driven path that does not contain a surface protection layer (tar/bitumen).



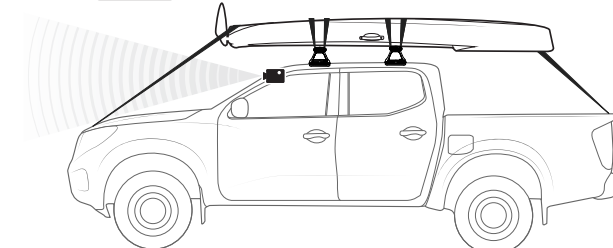
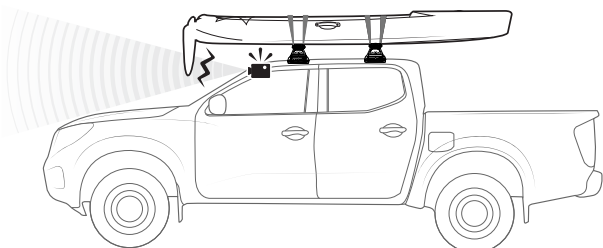
Long flexible loads must attach securely to rigid support and be tied down to the bonnet



Surfboard Overhang > 600mm / 23 5/8in must be tied to the bonnet

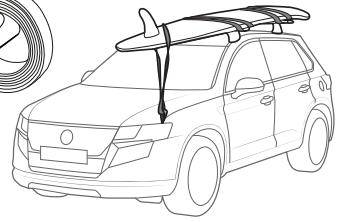
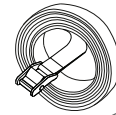
Do NOT obstruct windscreen camera sensors

Warning sign icon. Warranty for roof rack system will be void if the front of the kayak is not secured to the bonnet.

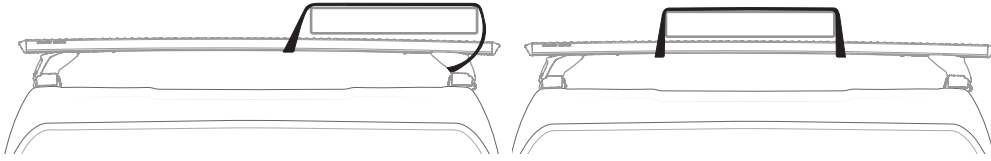




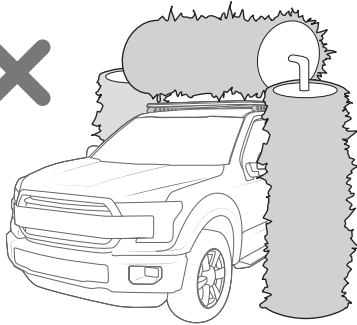
Loads must be tied down to Crossbars, **NOT** around legs



Use only non-stretch fastening ropes or straps to attach cargo to roof racks



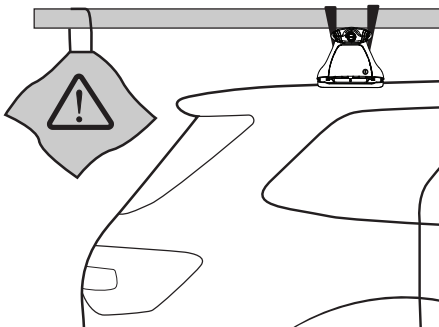
Tub/tray/canopys can move independently from the vehicle cabin. Rigidly fix to either the cabin roof racks **or** the tub/tray/canopy roof racks but not both simultaneously.



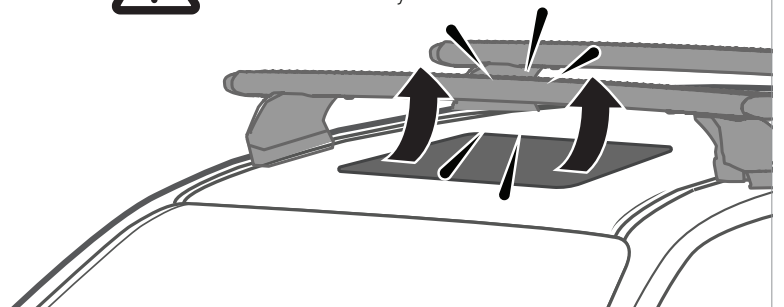
Racks must be removed when vehicle is put through an automatic car wash.



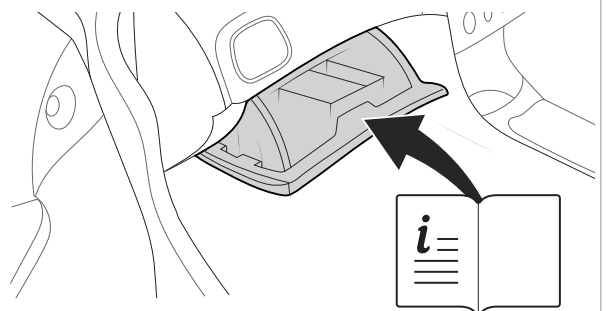
Ensure Ladder is well supported on the ground to support tent. Take extreme caution when climbing heights above 1.2m / 4ft.



Ensure sunroof will not collide with roof rack system.



[Youtube.com/Rhinorackaustralia](https://www.youtube.com/Rhinorackaustralia)



Place these instructions in the glove box once installation is complete

1.

Check your vehicle owners hand book for vehicle maximum carrying capacity and VISIT THE ONLINE CALCULATOR FOR CURRENT SYSTEM LOAD LIMIT DATA.



rhinorack.com/load-rating-calculator

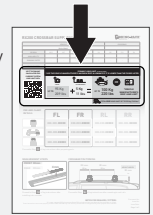
2.

Please ensure you use the vehicle manufacturer's maximum roof allowance **if it is lower than the figure listed in supplement.**



rhinorack.com/roof

1. Complete **Fit my vehicle** journey
2. Select your **Product Solution**
3. Scroll down to **'Product Details'**
4. Download intructions under the **'INSTRUCTIONS'** tab



Cargo Load Limit

Total permissible weight allowed on top, and attached to roof racks whilst the vehicle is in motion.



System Weight

Total weight of the roof rack system. (Crossbars, Backbone, Platform)



Max System Load Capacity

Please ensure you use the vehicle manufacturer's maximum roof allowance if it is lower than the figure listed in the fitting chart.



Vehicle Manufacturer's Load Limit

Total permissible weight attached to the roof of the car. This is inclusive of the weight of the roof rack system.

In service maintenance checks

- All bolt connections should be checked after driving a short distance when you first install your roof racks.
- All bolted connections should be checked again at regular intervals (weekly is recommended, depending on road conditions, usage, loads and distances travelled).
- All bolted connections should be checked each time they are re-fitted.
- Off-road conditions are more rigorous. Check all bolted connections and your load more regularly.
- Ensure that your vehicle manufacturer's GVM, and gross axle weights are not exceeded (refer to vehicle owner's manual).

Note for Dealers and Fitters

It is your responsibility to ensure these fitting instructions are given to the end user or client. These instructions remain the property of Rhino-Rack Australia Pty. Ltd. and may not be used or changed for any other purpose than intended.

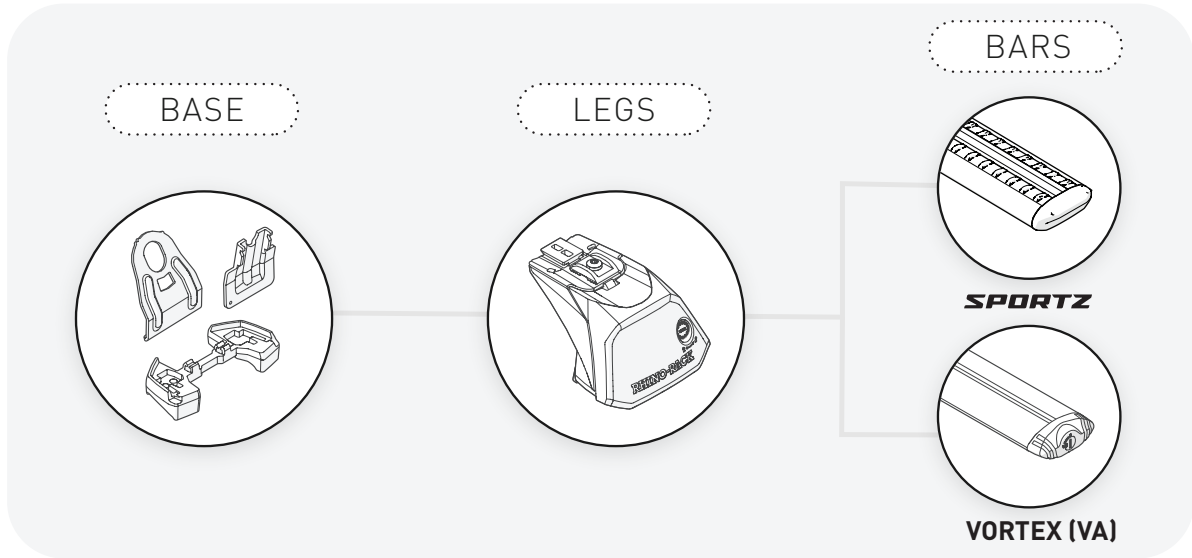
Warranty

We love creating our products for you and hope you love using them too. For complete peace of mind, register your product at www.rhinorack.com/warranty. This way, we can quickly help you with any future warranty claims. And remember – never to forget to **Make Space For Adventure!**

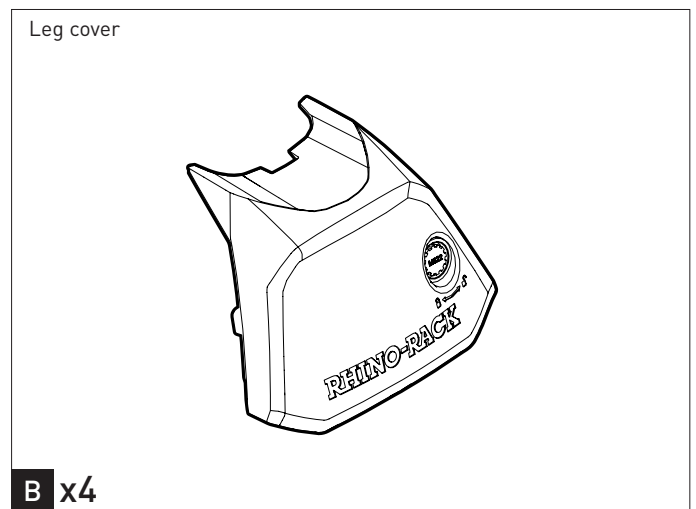
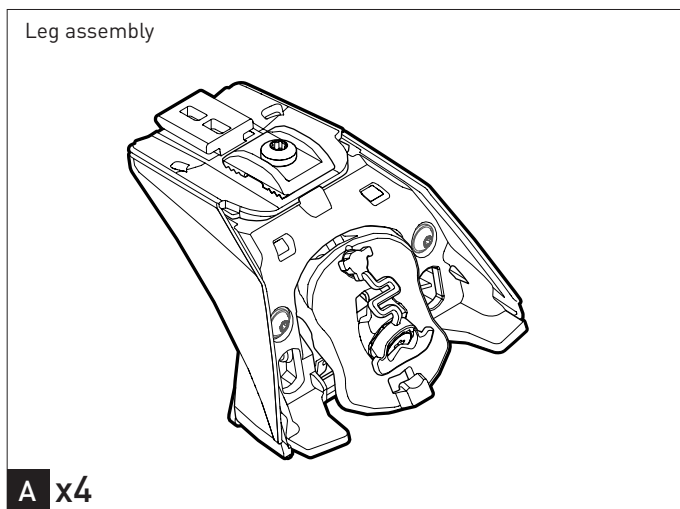
CONTENTS

Installation onto:

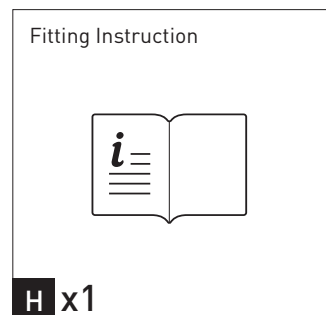
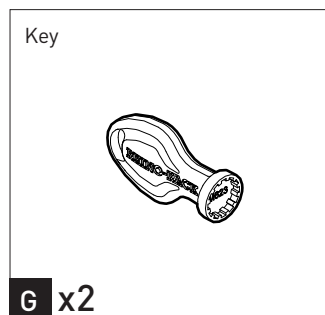
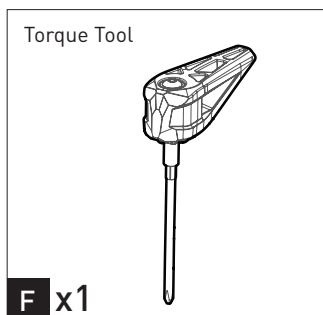
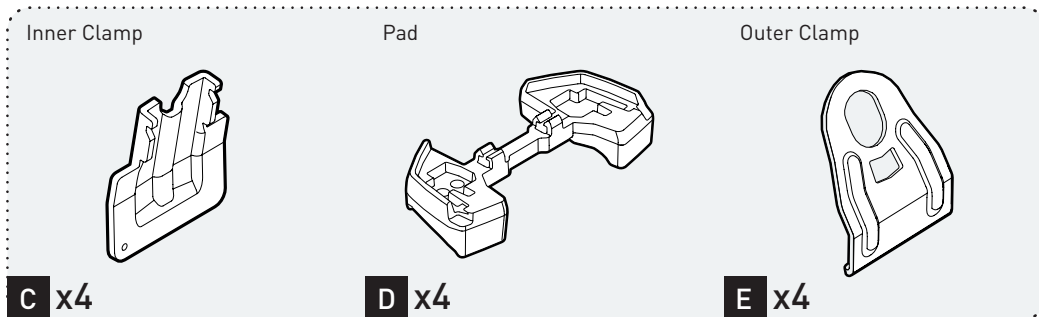
Pioneer Platforms	Steps	1	-	11	
Sportz bars	Steps	1	-	10	and 12 - 27
VA Crossbars	Steps	1	-	10	and 28 - 38



Parts List



BASE KIT

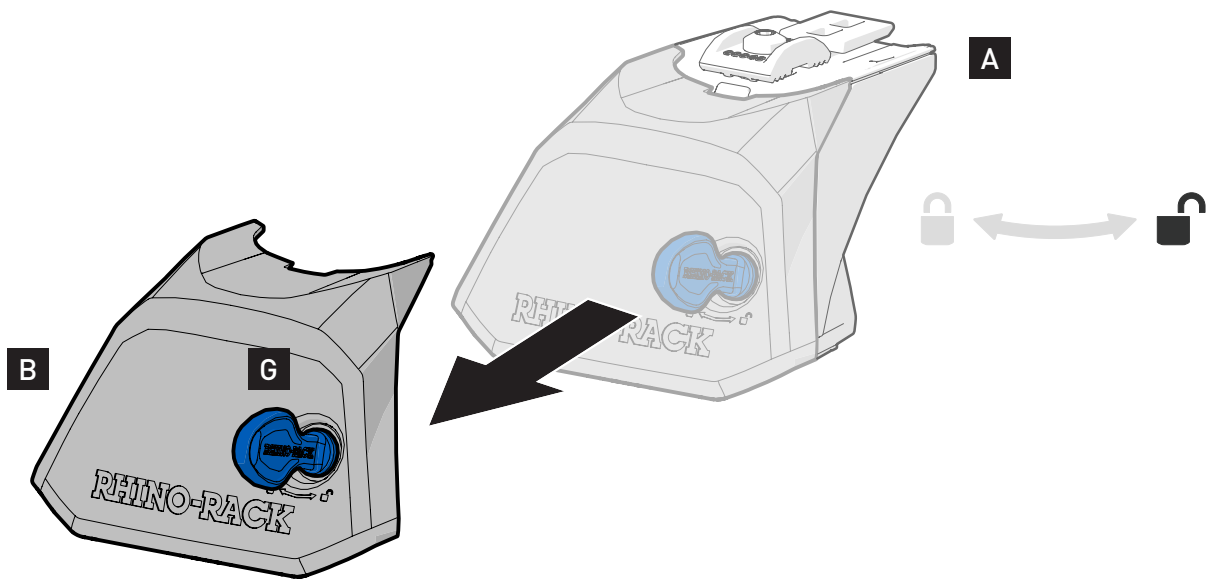


TOOLS REQUIRED:

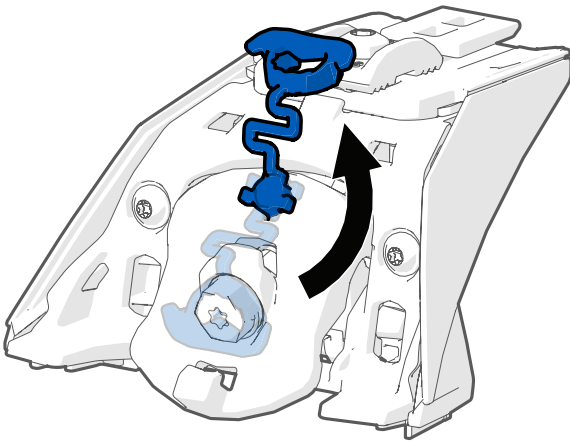
T1 - Tape Measure

T2 - Scissors

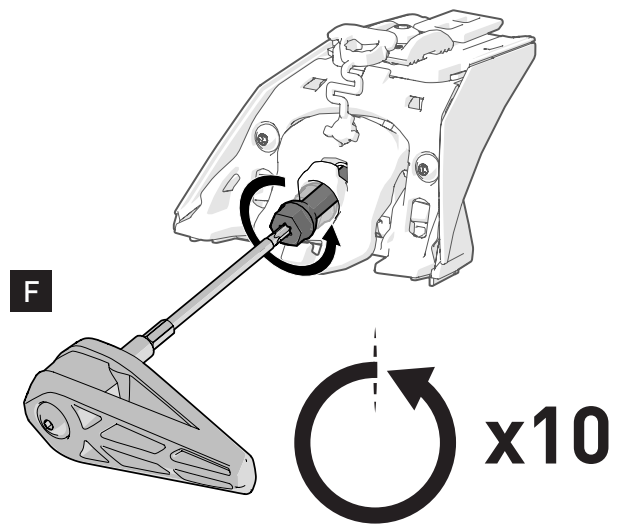
3



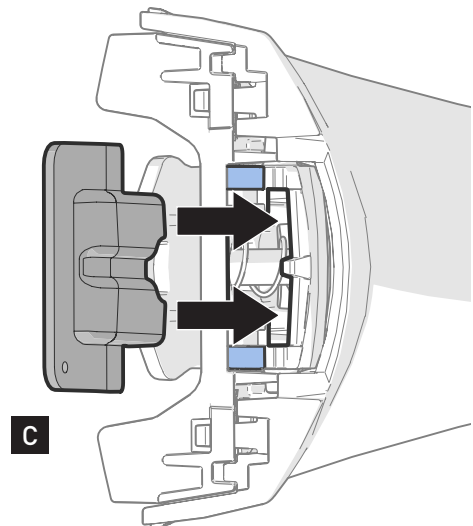
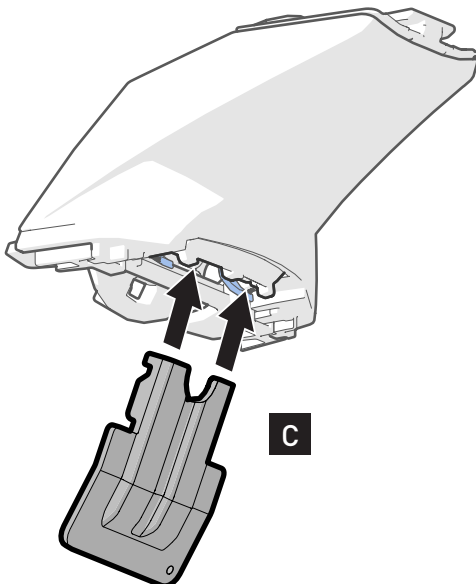
4



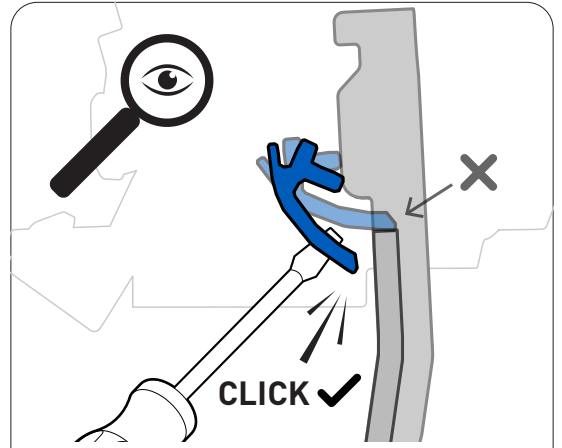
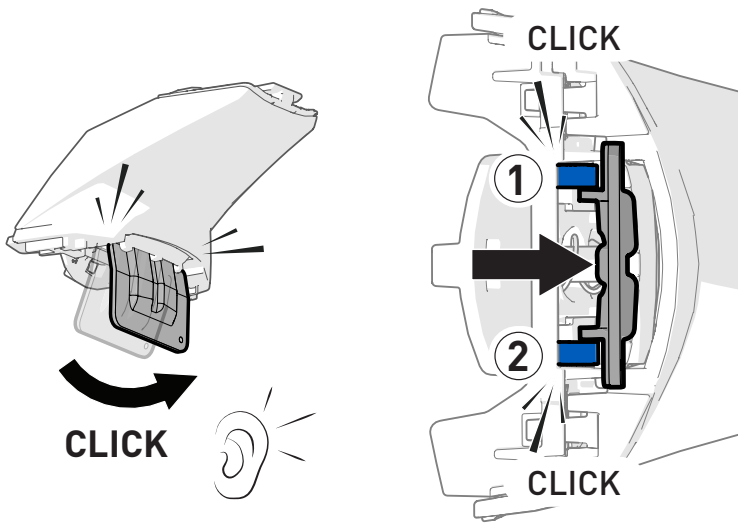
5



6a

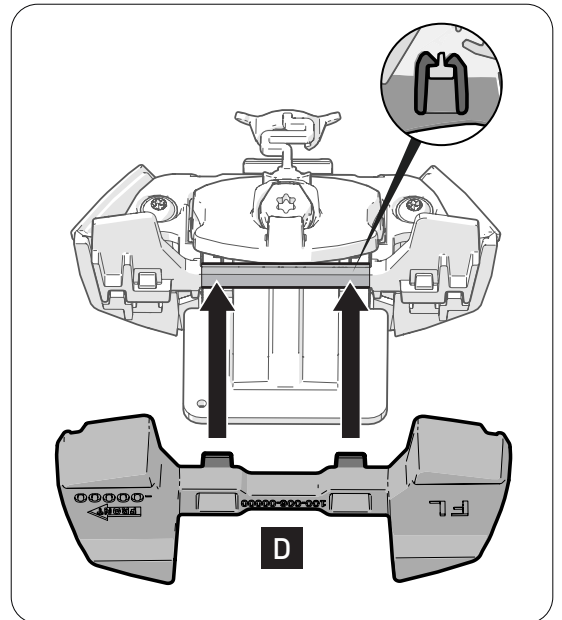
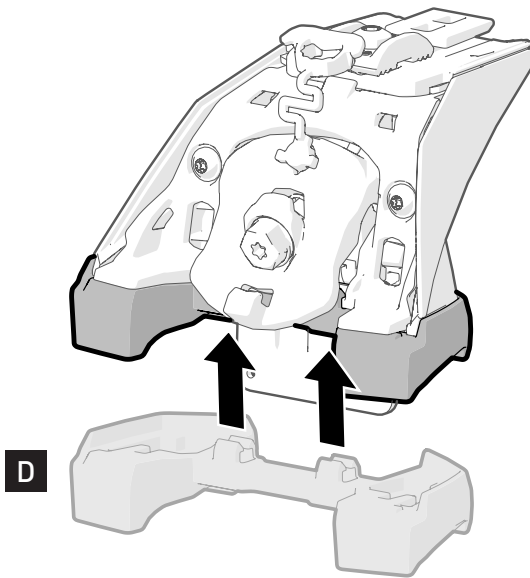


6b

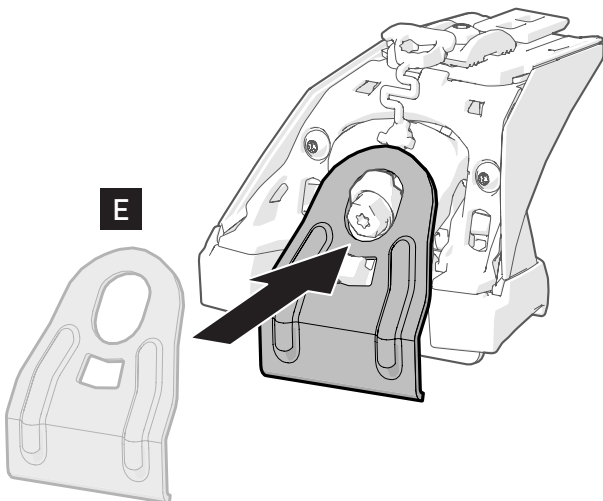


NOTE: Check the blue retainer clips are locked over the clamp. A flat head screwdriver may be required to help secure both clips over the clamp.

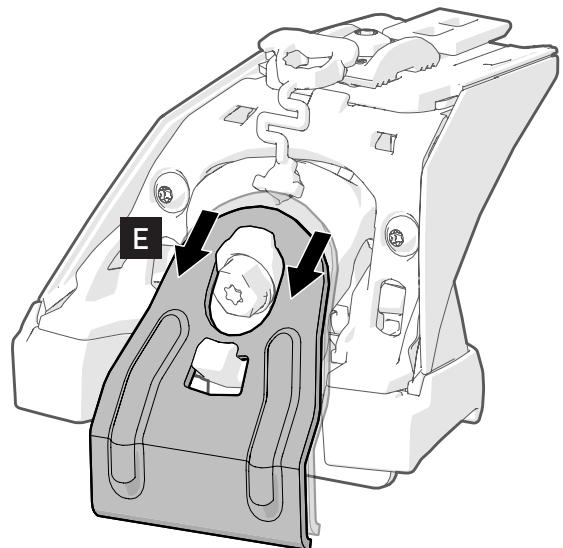
7



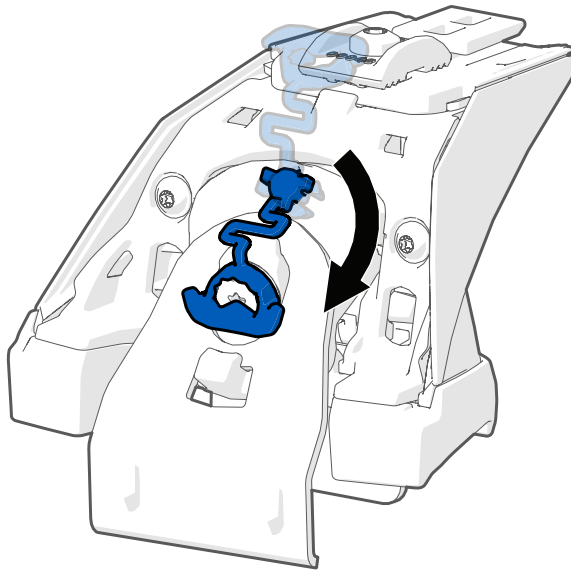
8a



8b

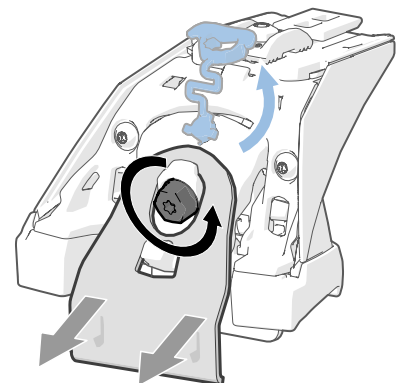
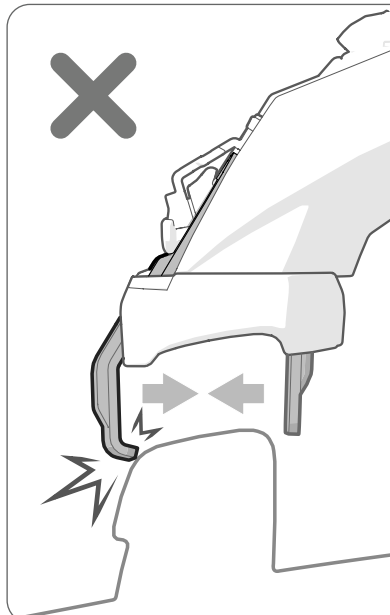
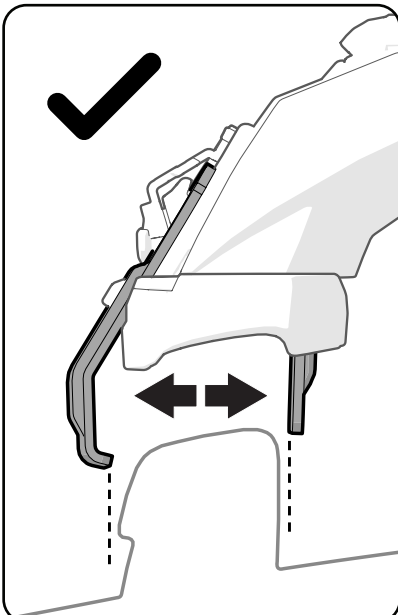
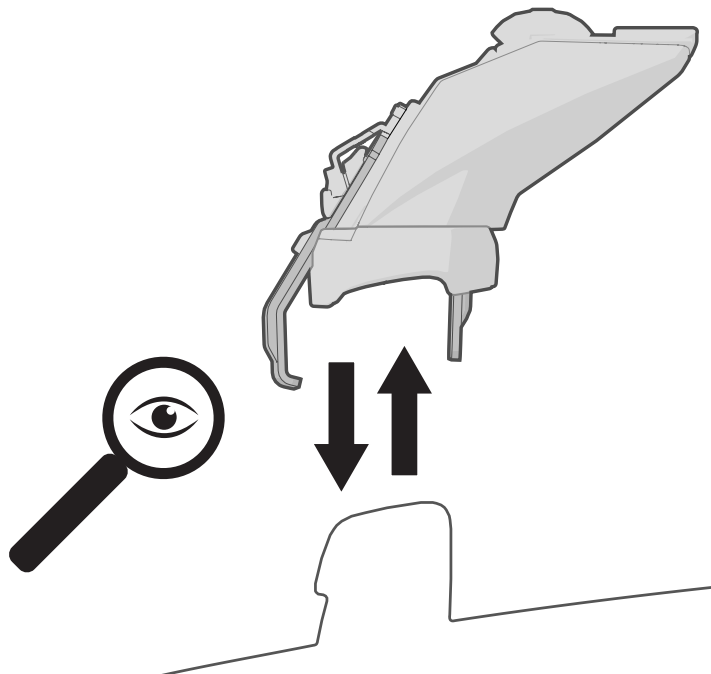


9



Failing to rotate to 'lock' position may result in clamps detaching and damaging vehicle.

10



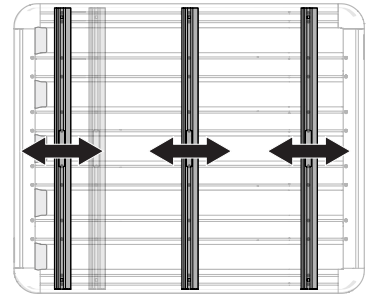
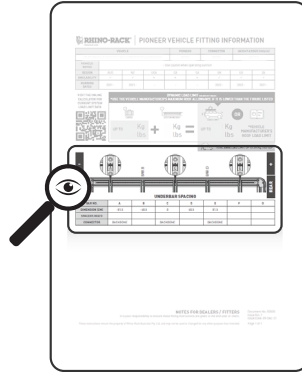
Do not loosen bolt excessively, or the bolt will disengage from the leg body.

11 FOR PIONEER PLATFORMS:

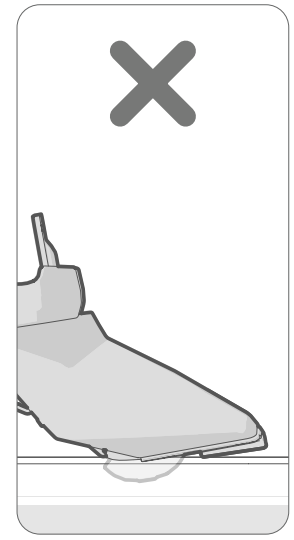
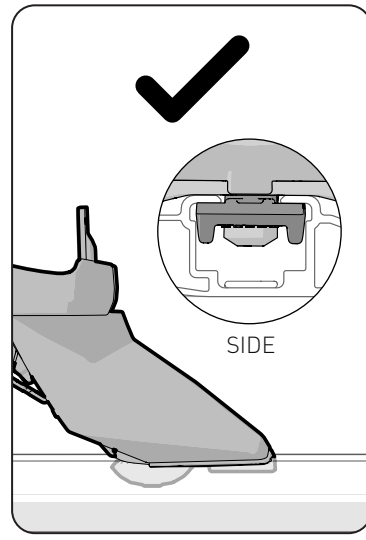
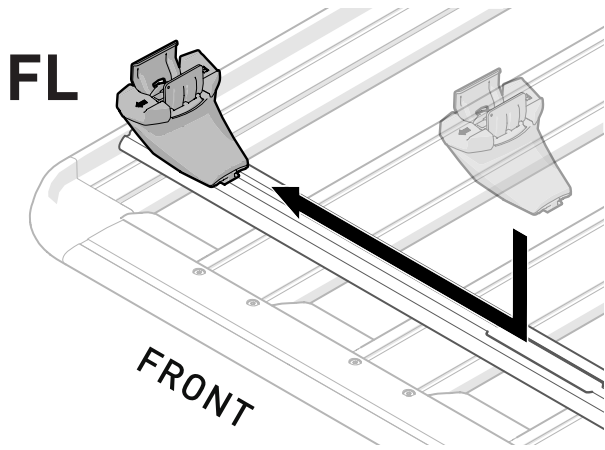
For **SPORTZ Bar** Instructions, skip to Step **12**

For **Vortex (VA) Bar** Instructions, skip to Step **28**

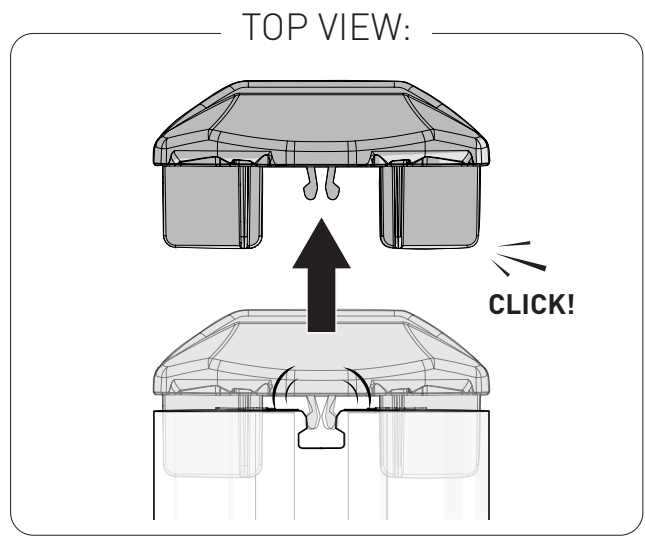
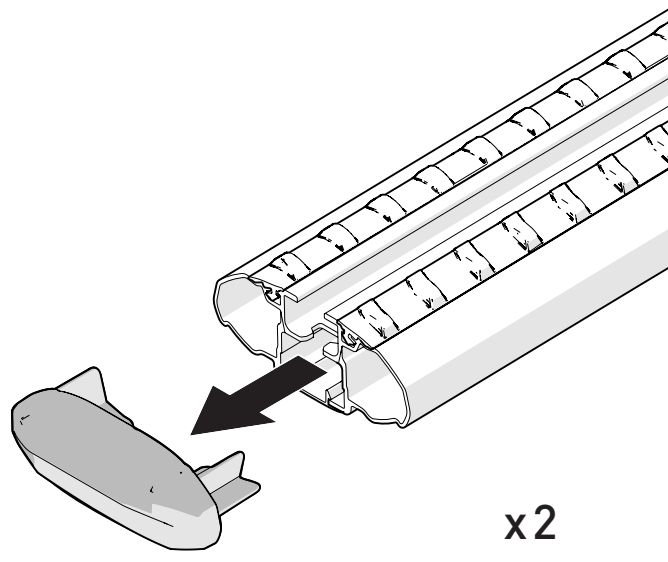
Proceed to PIONEER INSTRUCTION and PIONEER FITTING CHART to adjust Platform underbars.

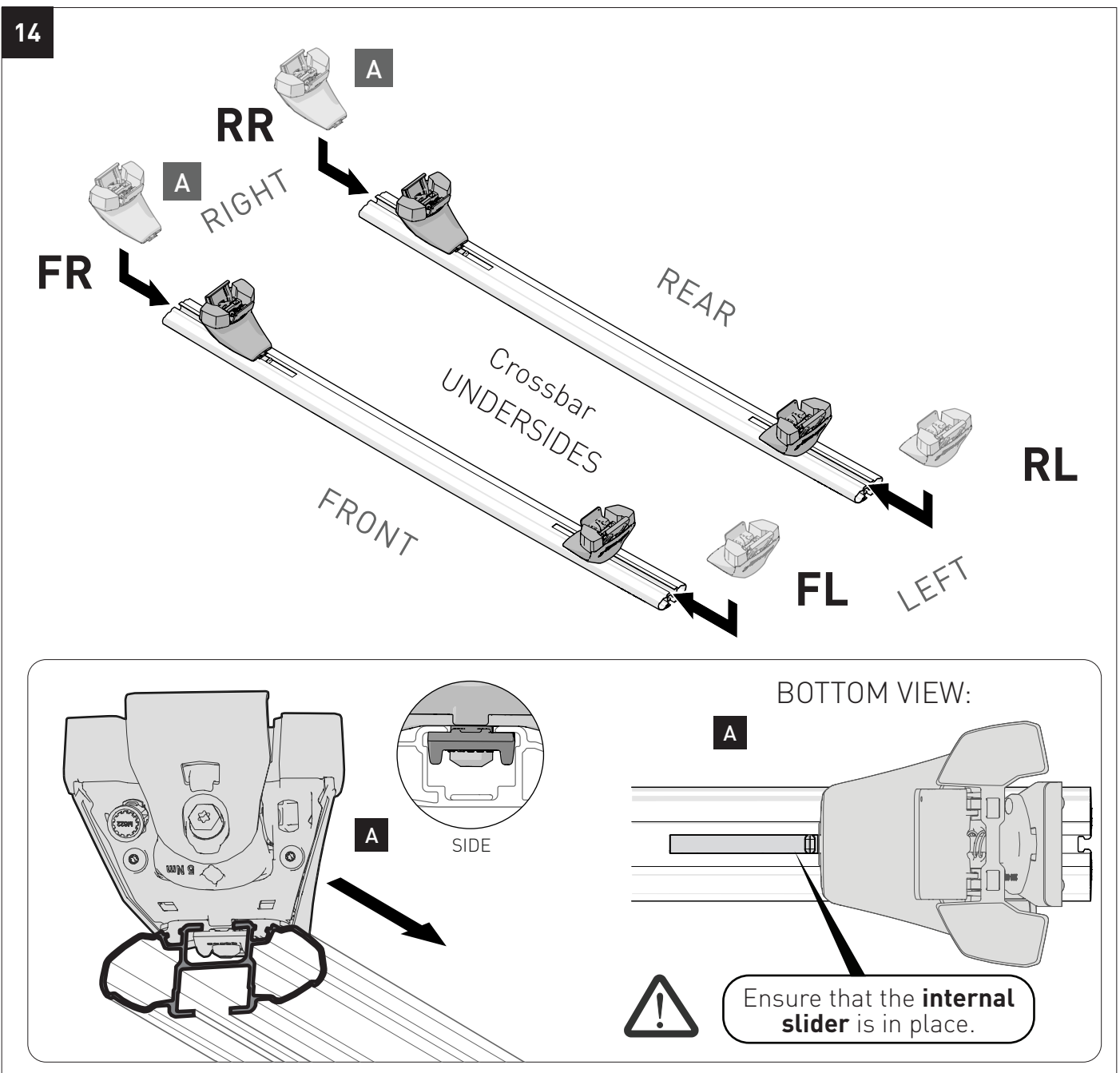
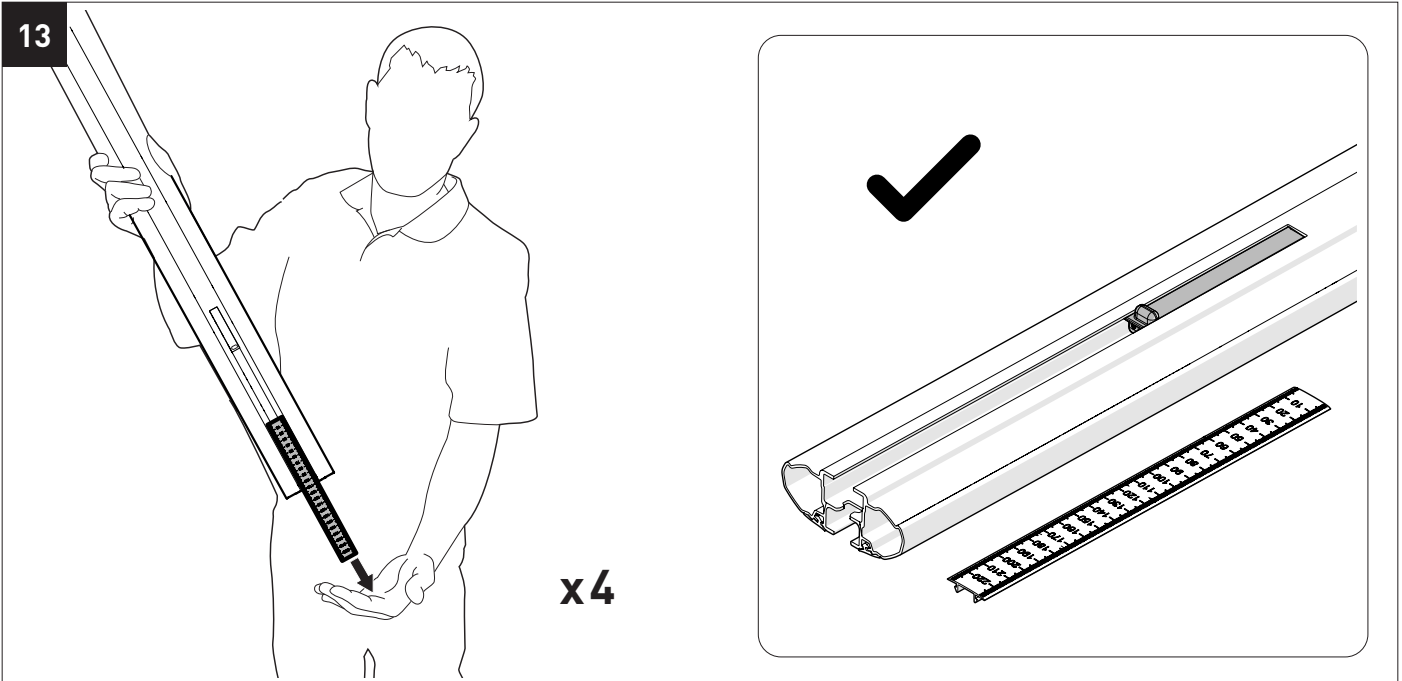


Once underbars are adjusted, insert legs then proceed to Step **15**

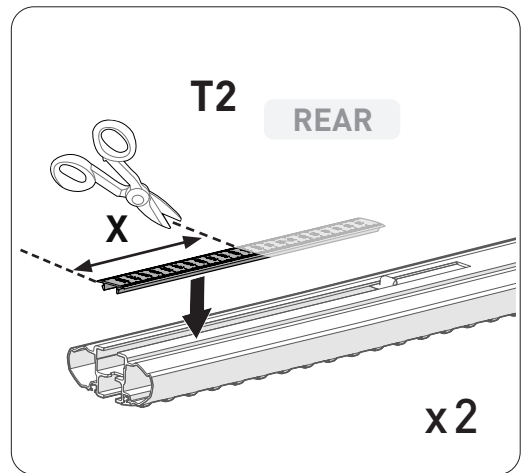
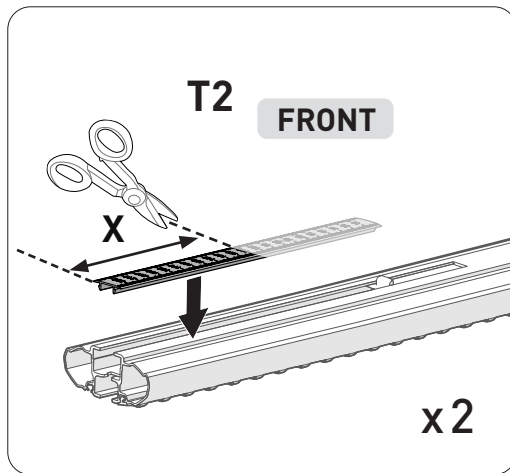
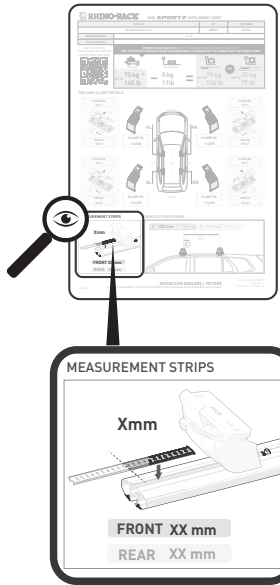


12 FOR SPORTZ BARS:

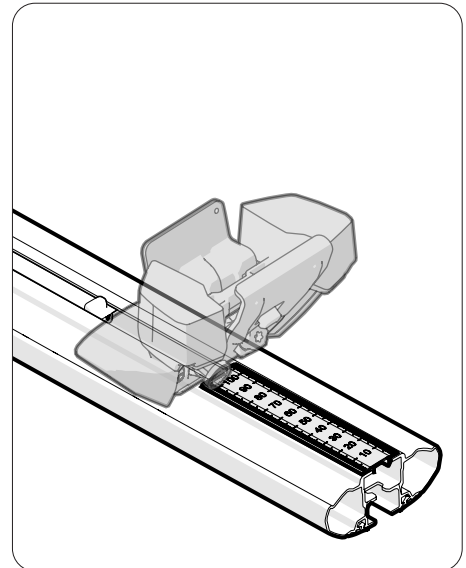
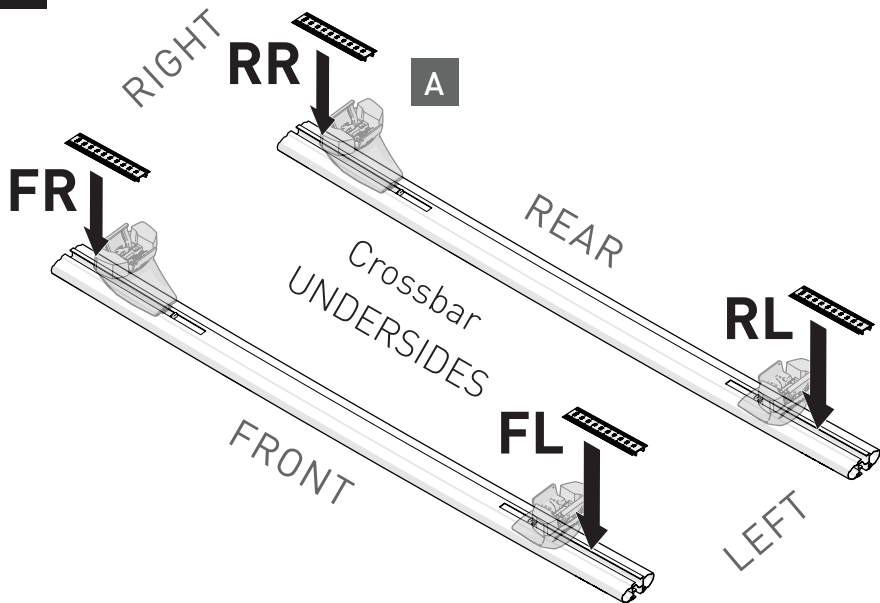




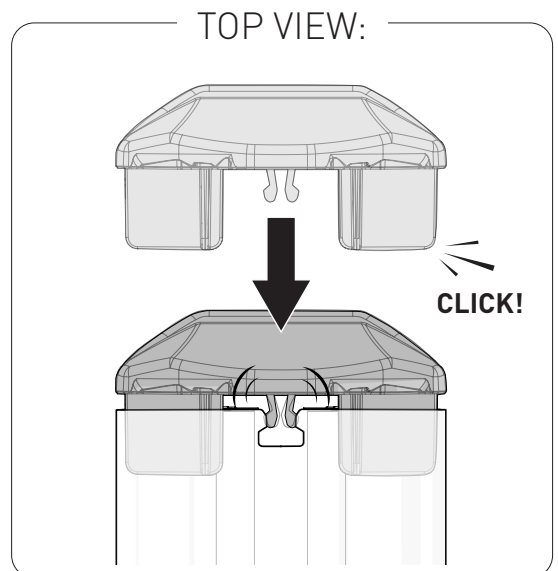
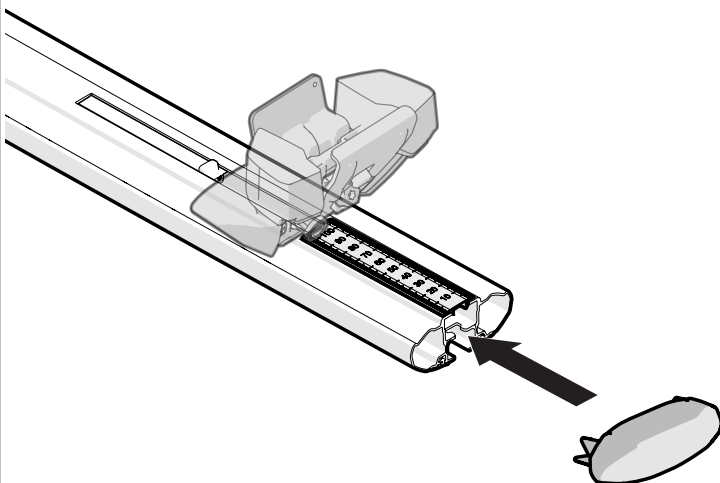
15 Refer to RX200 CROSSBAR SUPPLEMENT.



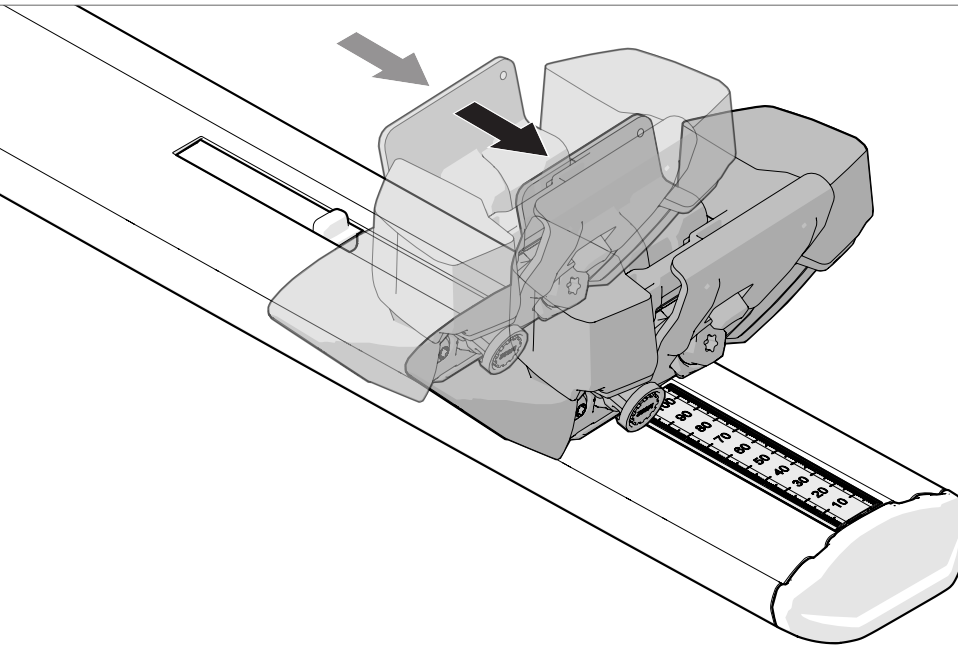
16



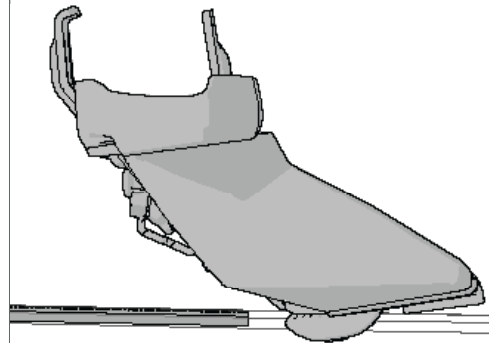
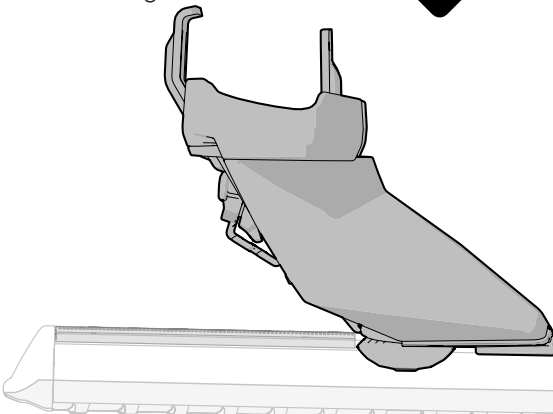
17



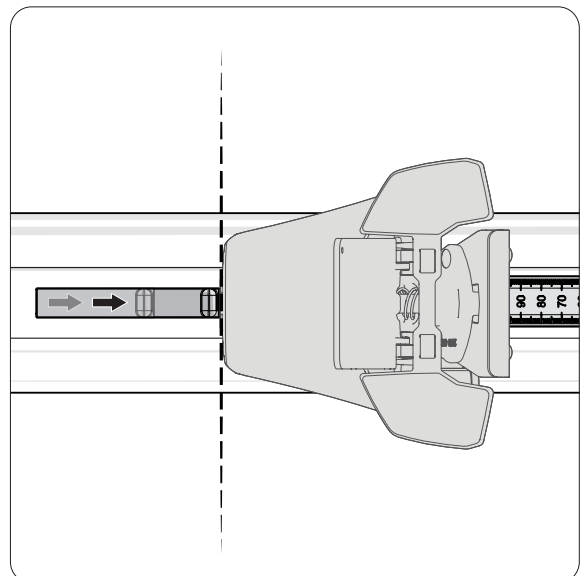
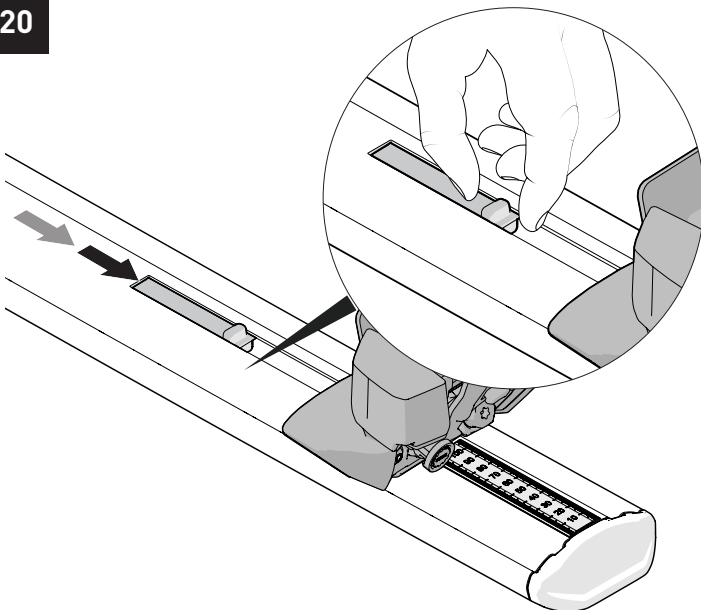
18



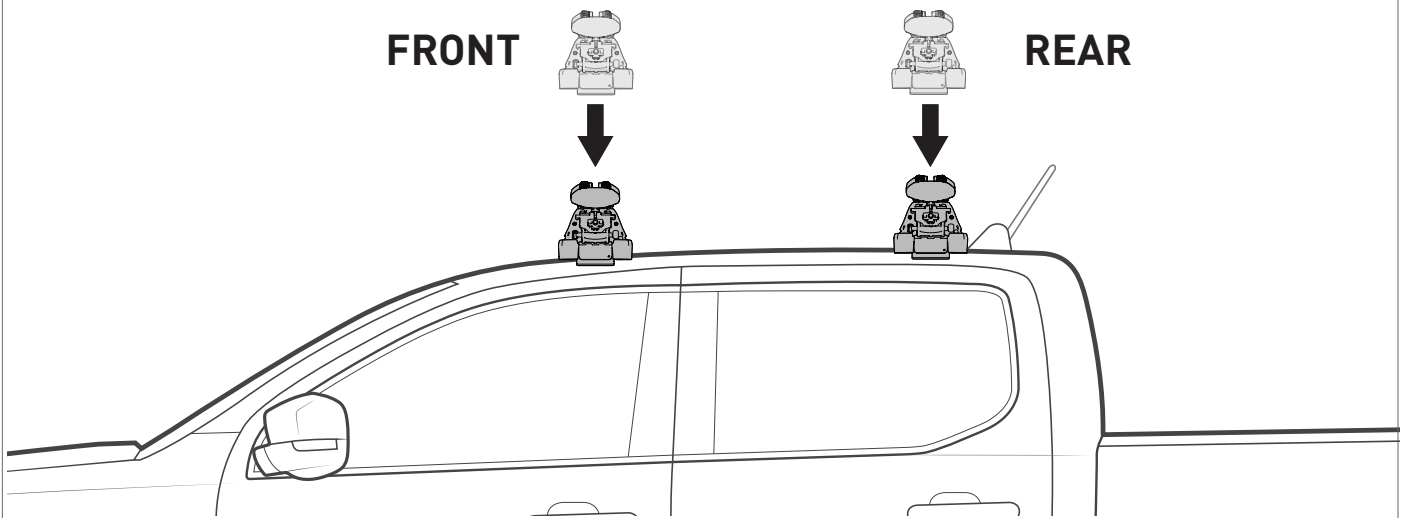
NOTE: Measuring strip to sit underneath the leg.



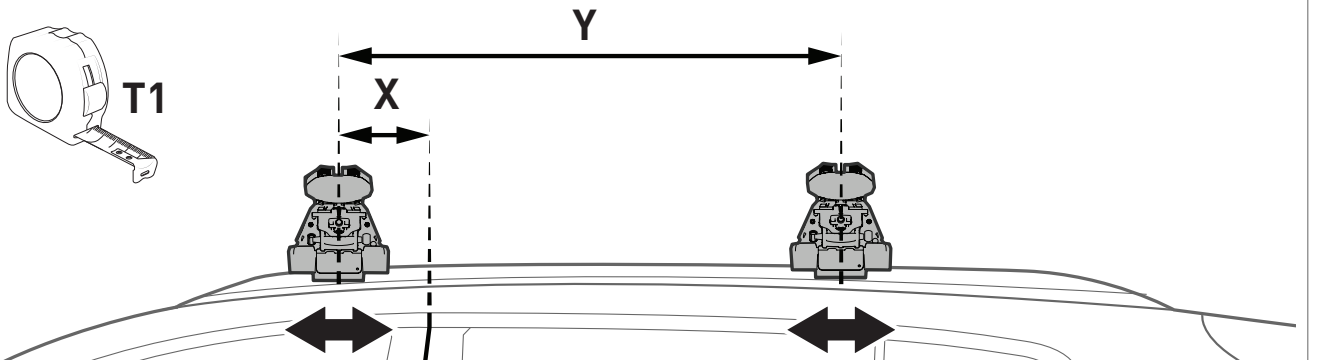
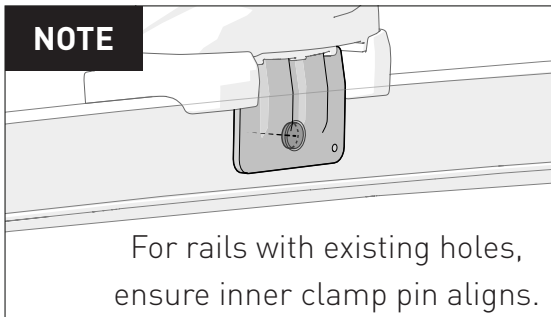
20



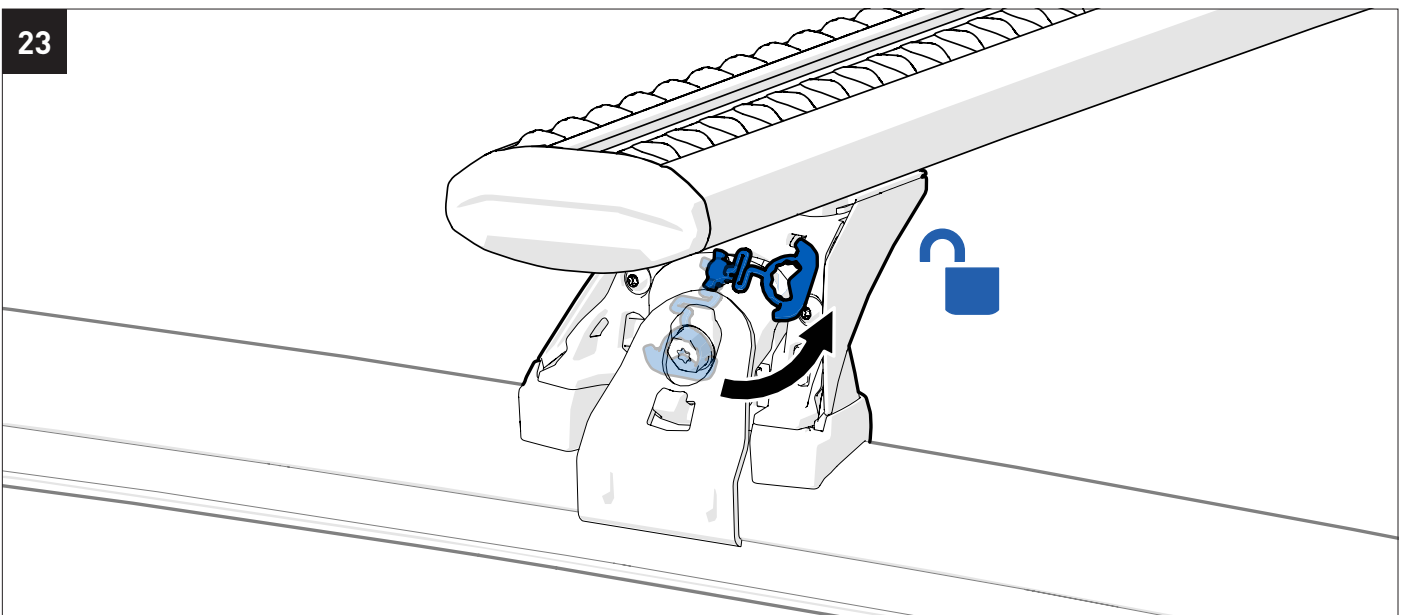
21



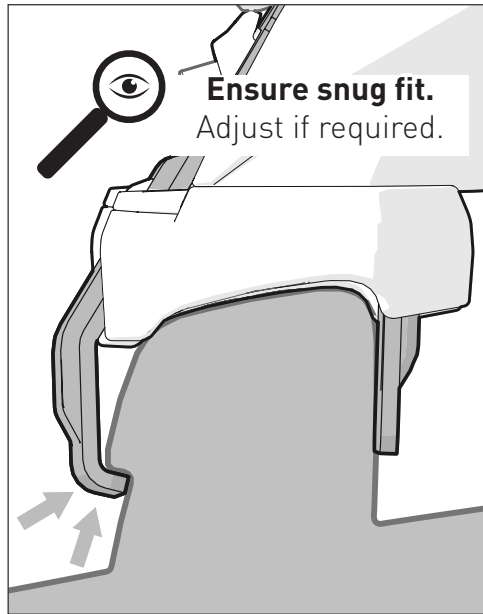
22



23



24

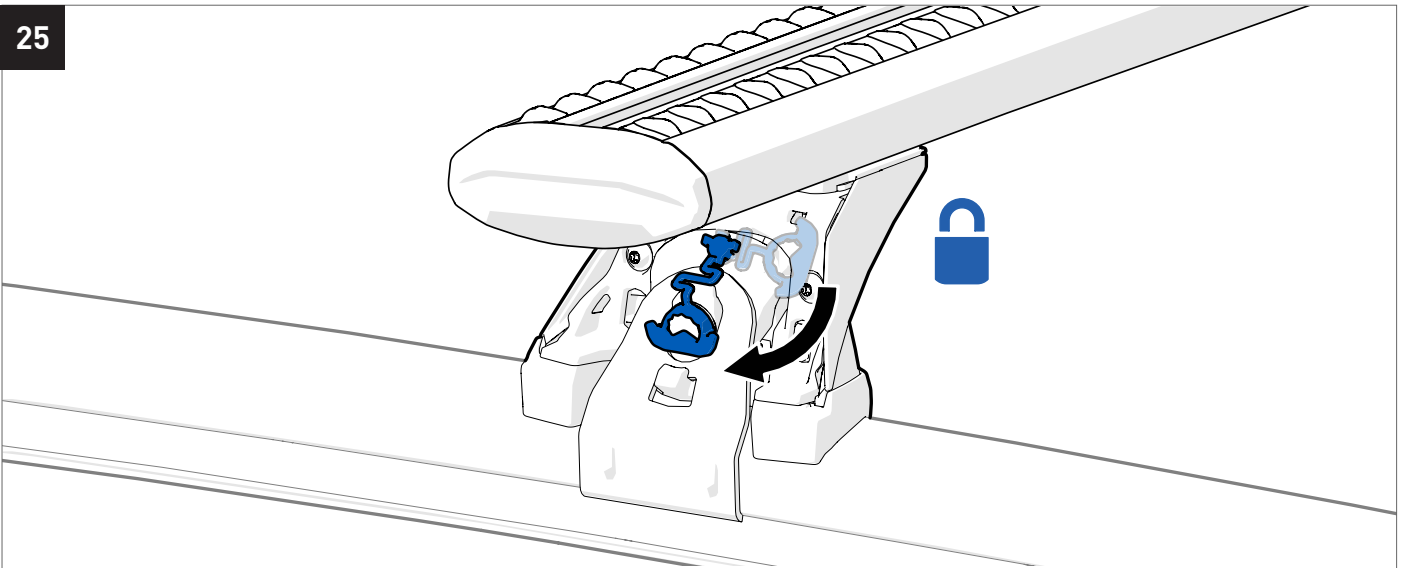


6Nm
4.4LB/FT

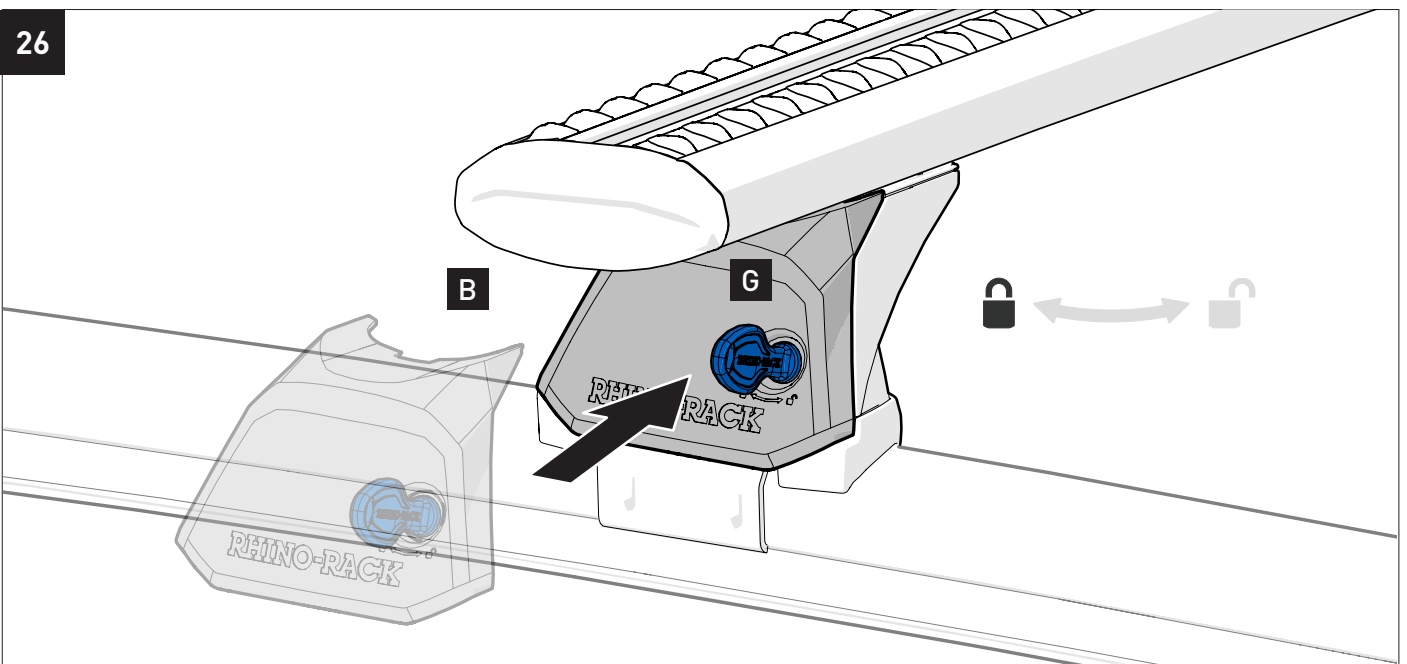
CLICK!

F

25

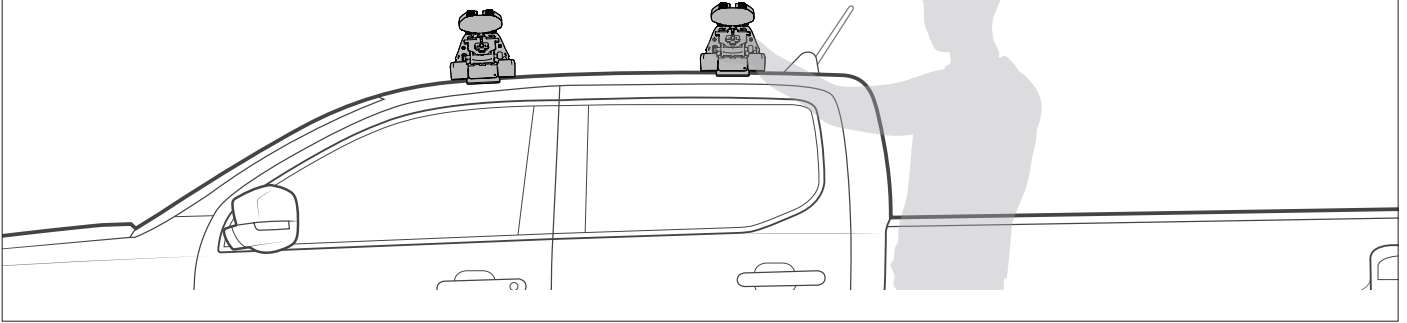
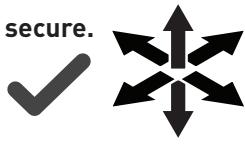


26



27

Check fitment is secure.

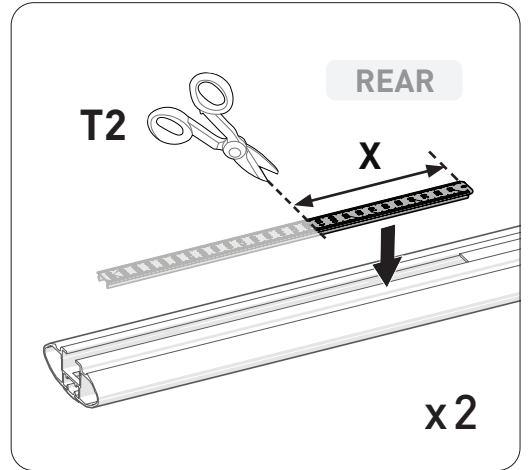
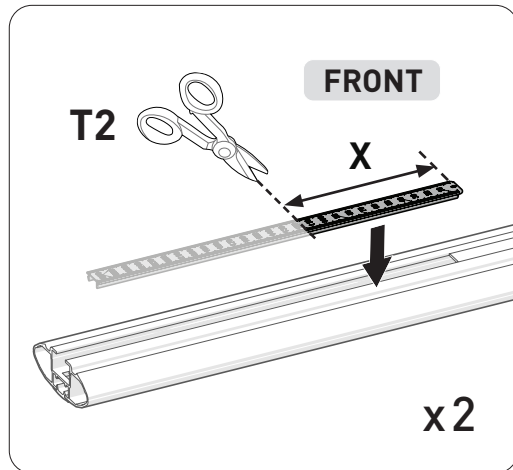
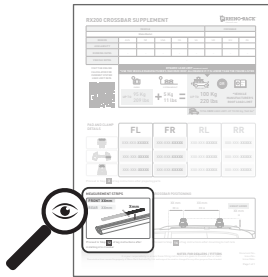


Sportz Bar Installation Complete.

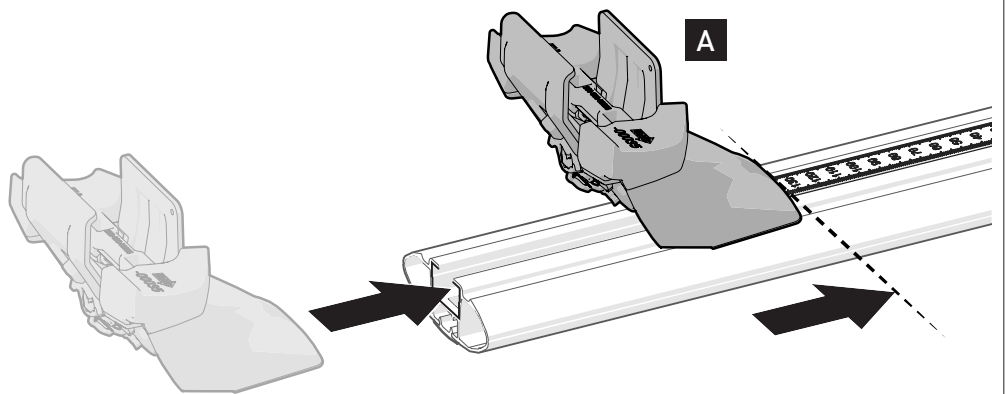
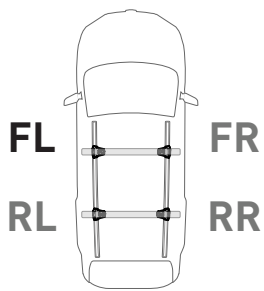


28 FOR VORTEX BARS:

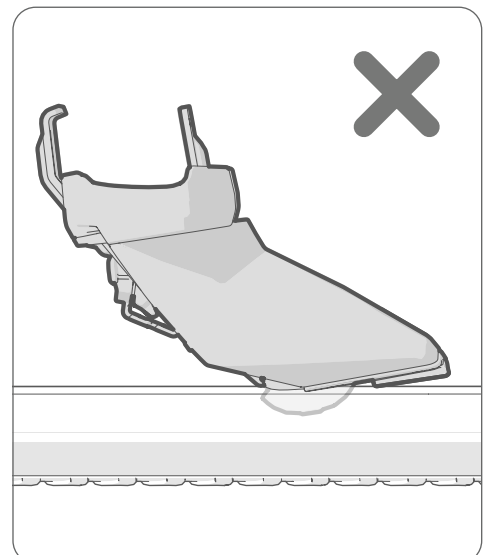
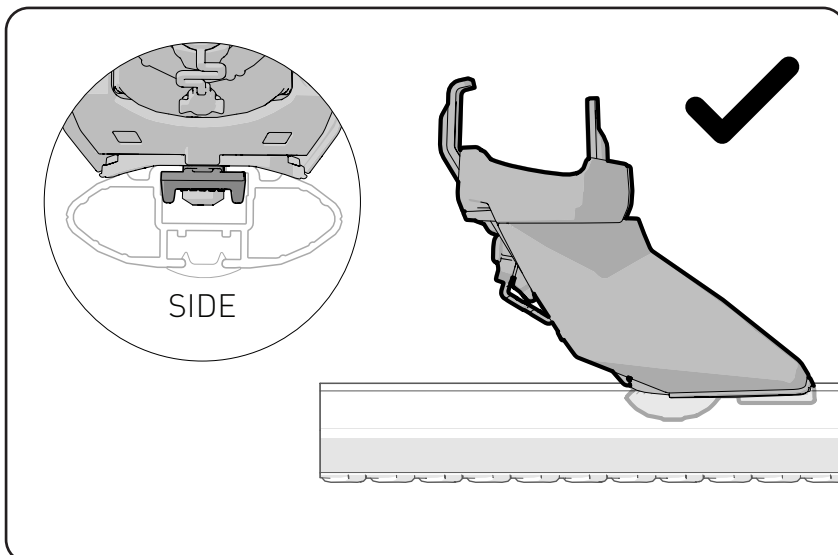
Refer to RX200 CROSSBAR SUPPLEMENT.



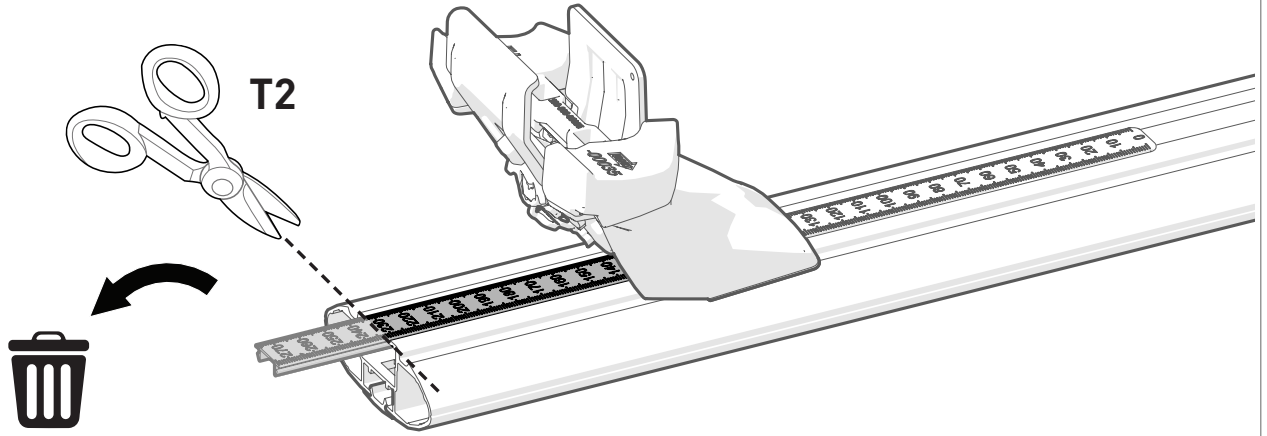
29a Refer to Step **29b** while installing.



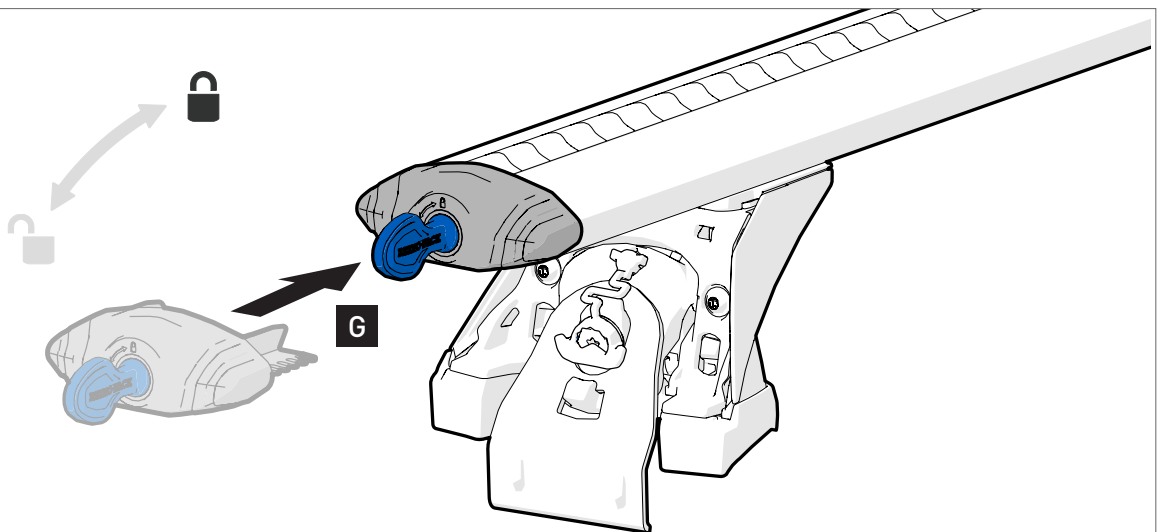
29b



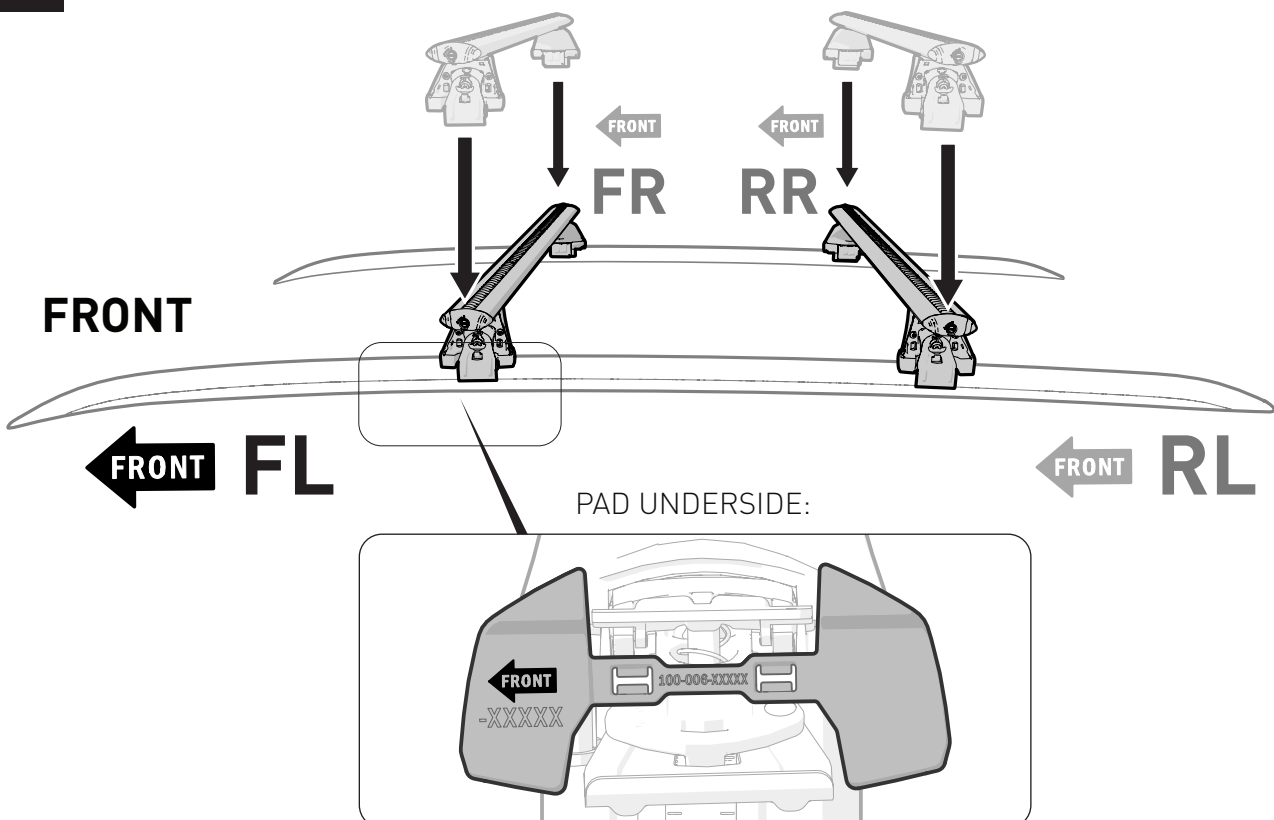
30



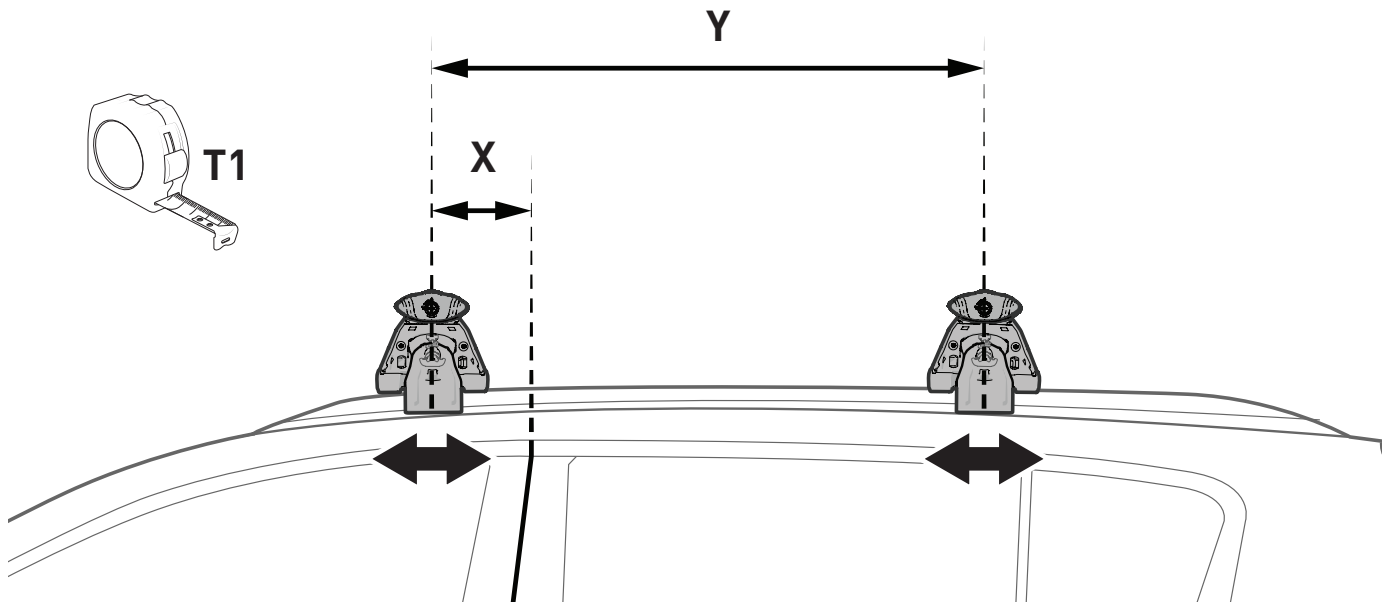
31



32



33



RX200 CROSSBAR SUPPLEMENT

Weight	Weight	Weight	Weight
kg	kg	kg	kg
95	5	100	100
210	11	220	220

REQUIRED CLAMP DETAILS
 FL: 100-100-8XXXXX
 FR: 100-100-8XXXXX
 RL: 100-100-8XXXXX
 RR: 100-100-8XXXXX

FIXING STRIPS
 SS: 100-100-8XXXXX
 SS: 100-100-8XXXXX

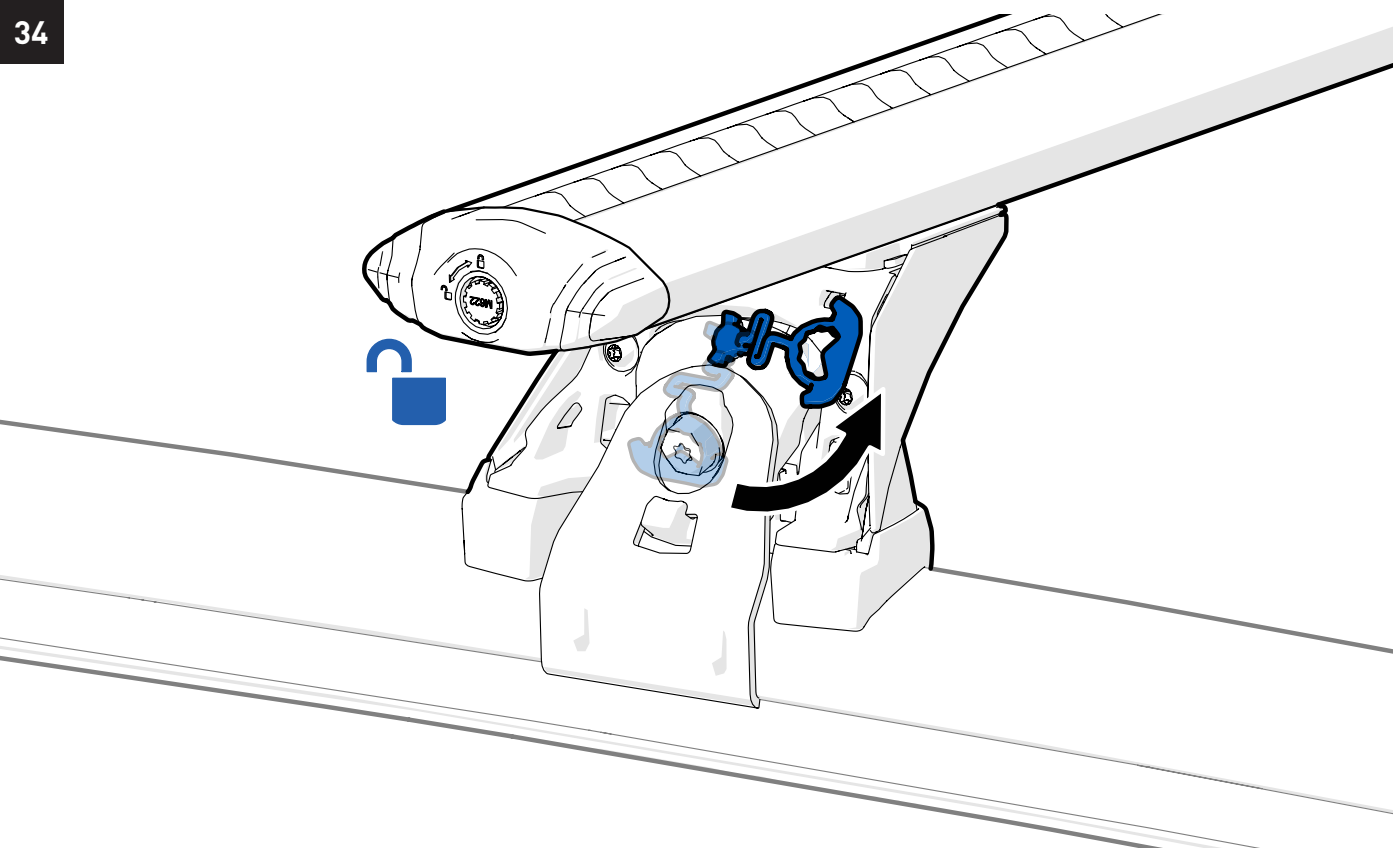
CROSSBAR POSITIONING



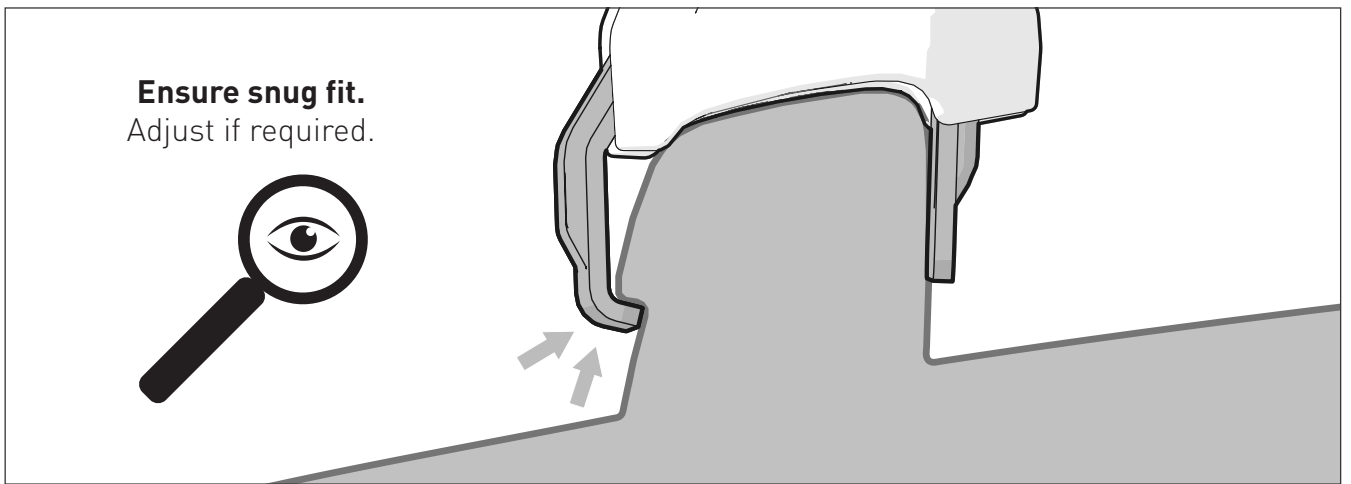
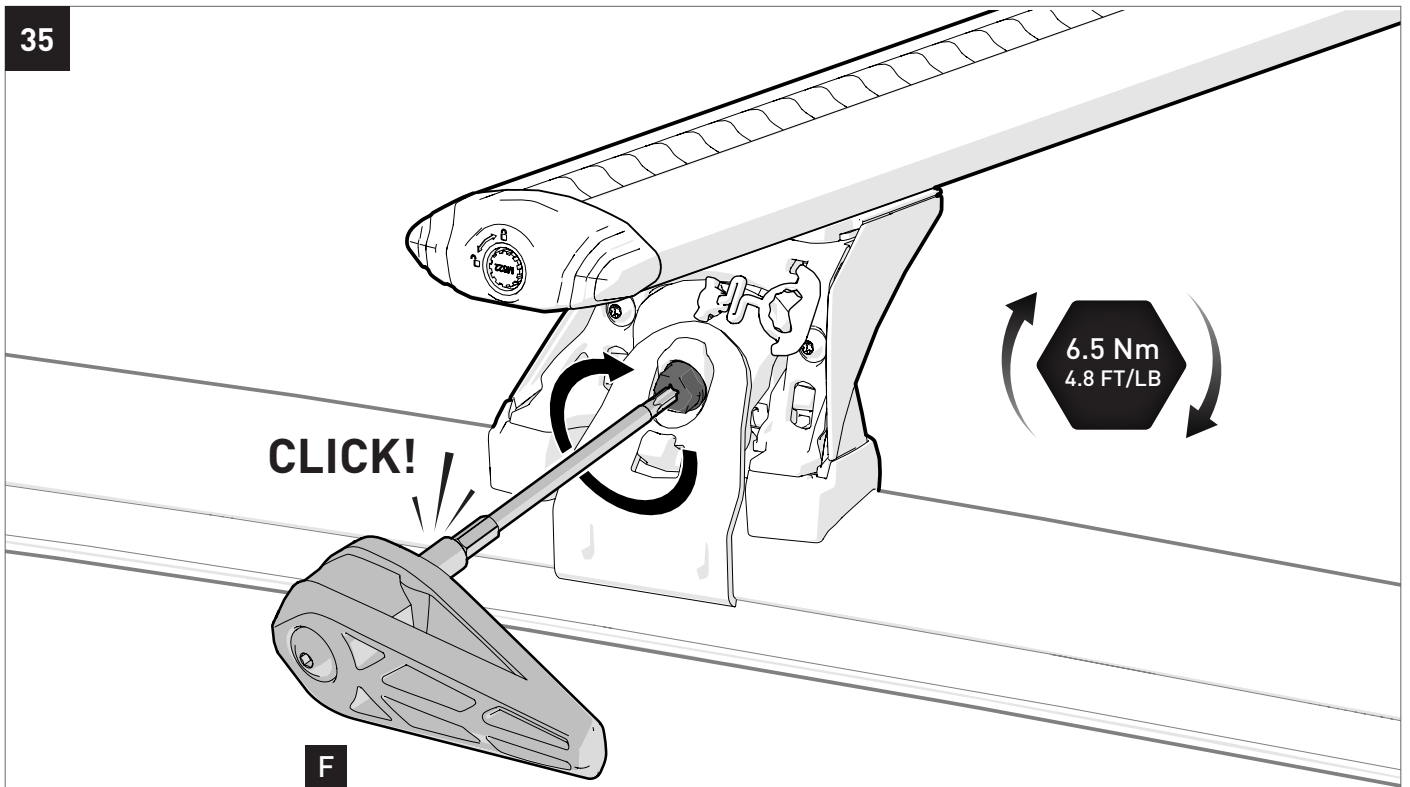
NOTE

For rails with existing holes, ensure inner clamp pin aligns.

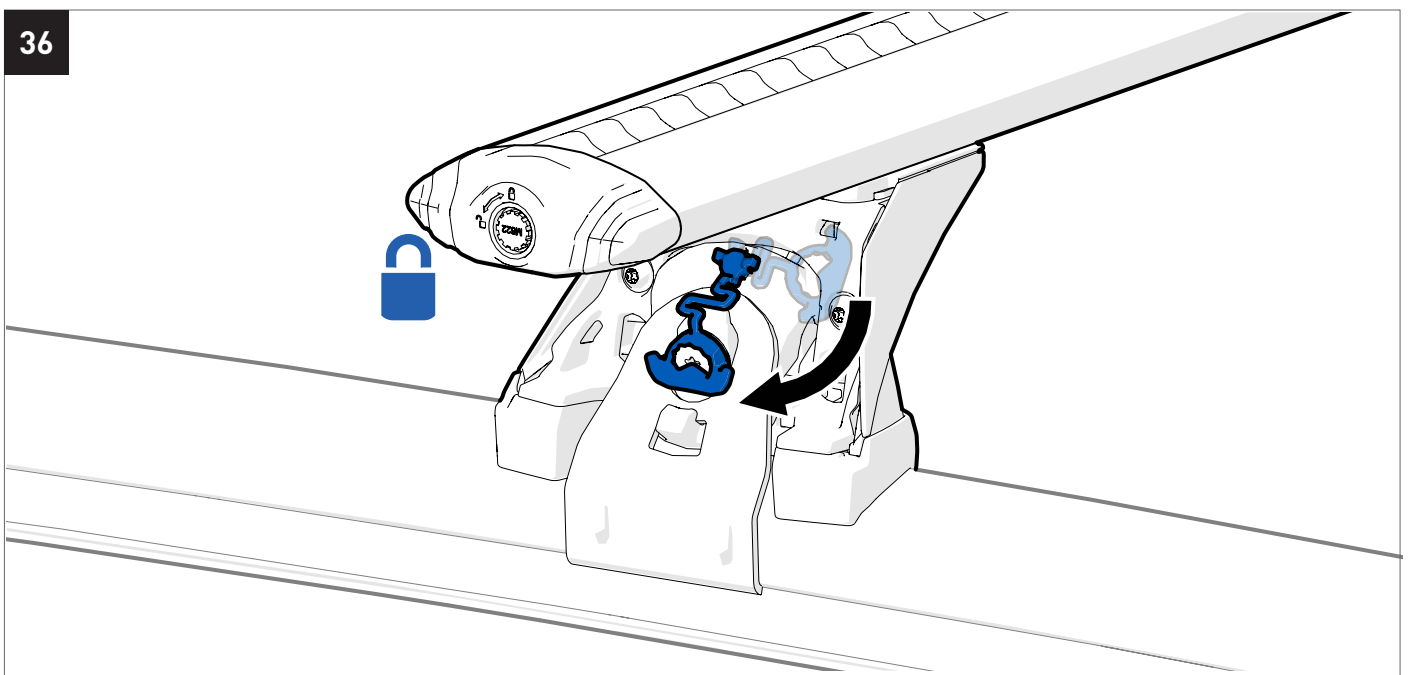
34



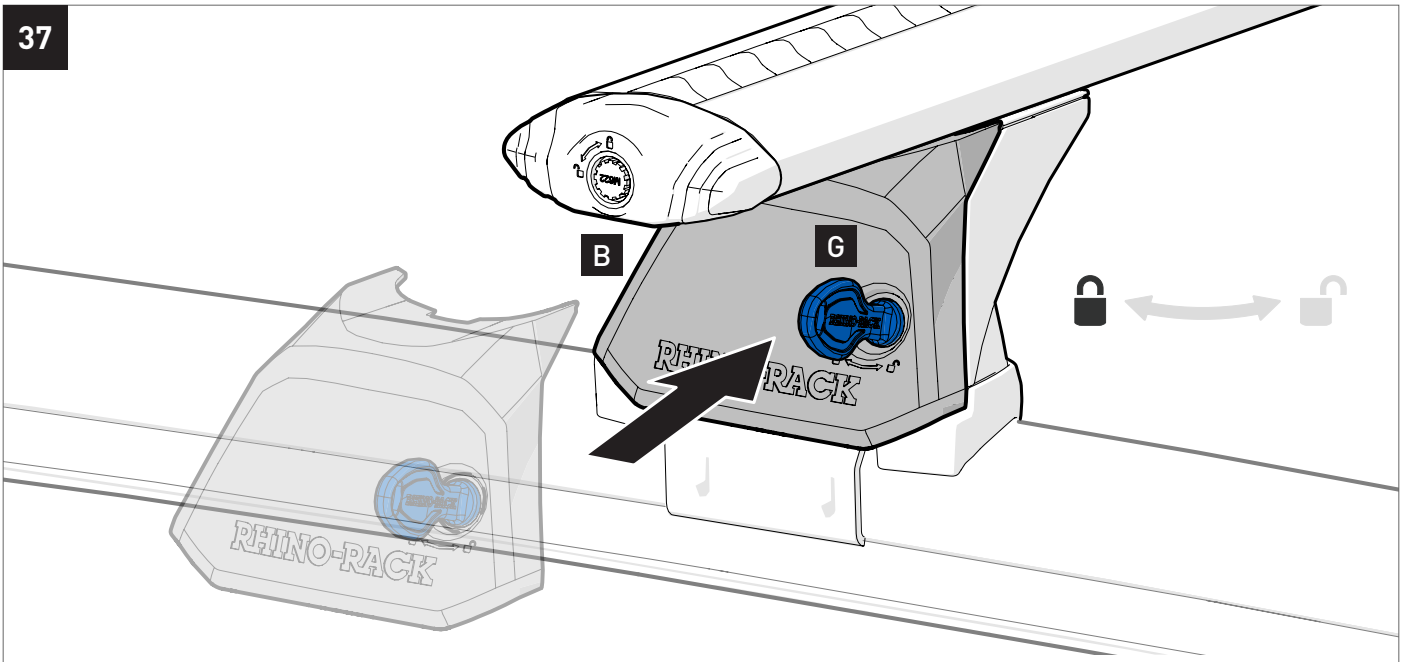
35



36

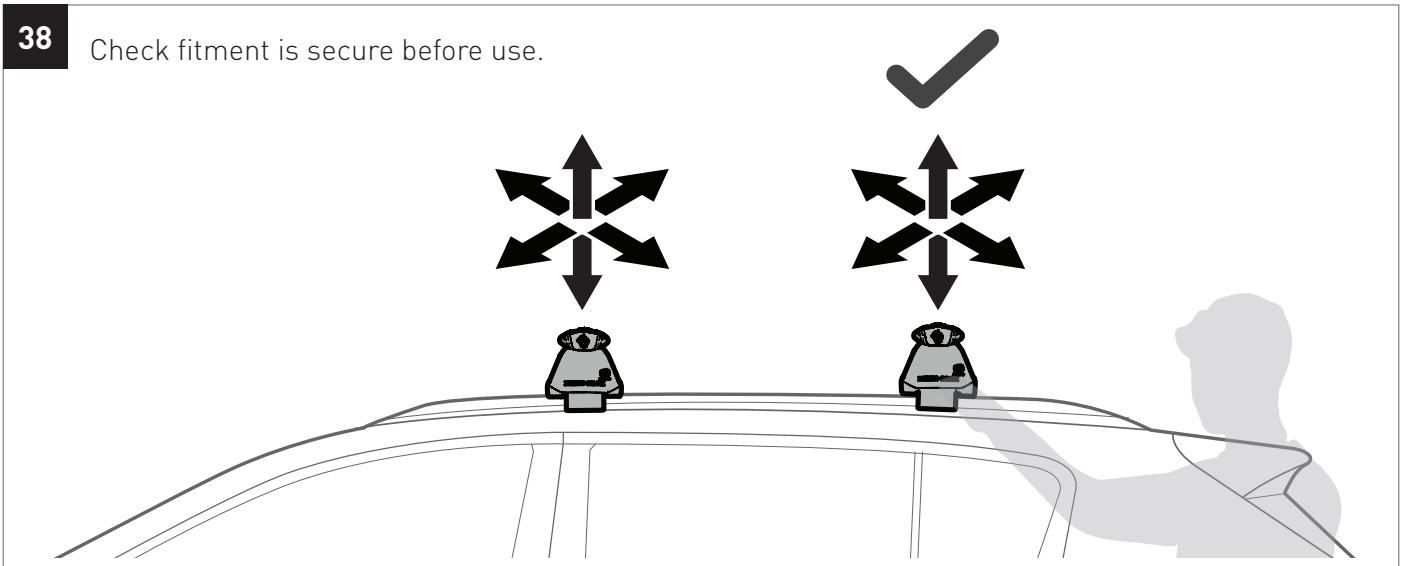


37



38

Check fitment is secure before use.



🚩🚩 Sportz Bar Installation Complete. 🚩🚩

NOTES

NOTES



RHINO-RACK®

MAKE SPACE FOR ADVENTURE

RHINORACK.COM

Rhino-Rack AUSTRALIA

22A Hanson Pl,
Eastern Creek, NSW, 2766

Rhino-Rack USA

19822 East 22nd Ave,
Aurora, CO, 80011