

RHINO-RACK®

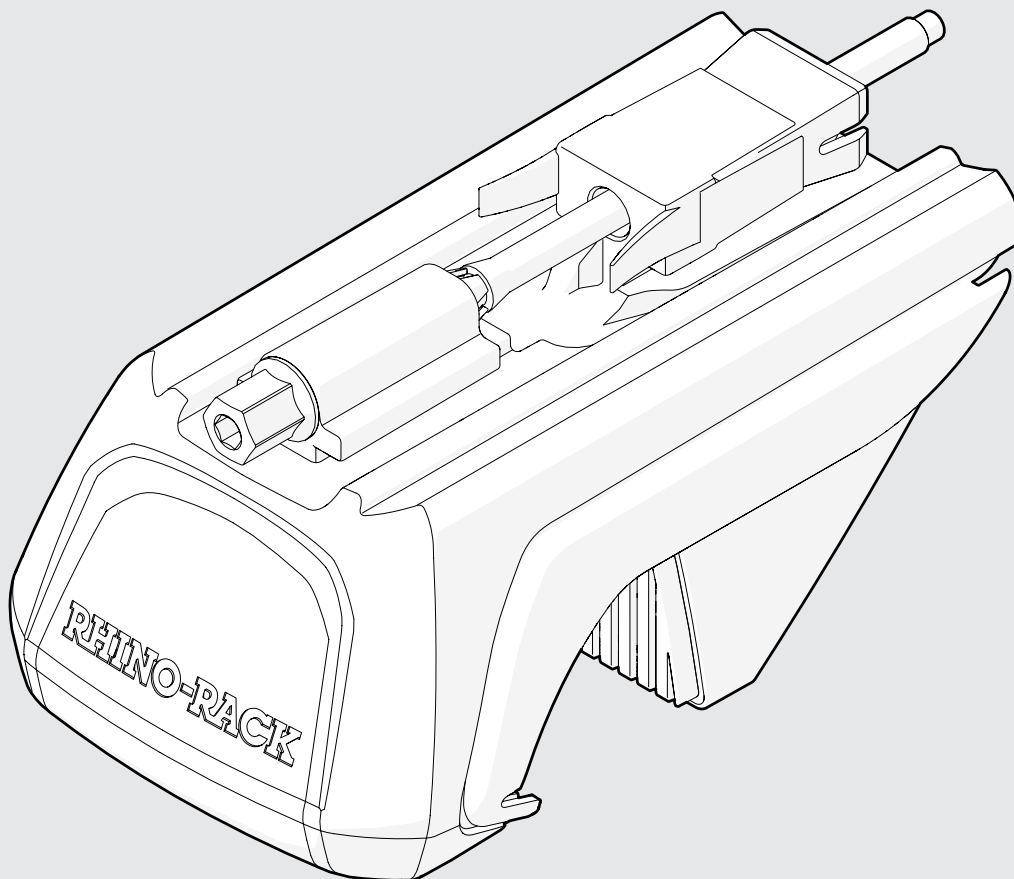
Leg Instructions

RX100

Important:

1. Check the Rhino-Rack website to ensure you have the latest issue of these instructions.
2. Please refer to your fitting instruction to ensure that the roof racks are installed in the correct locations.
3. Check the contents of kit before commencing fitment and report any discrepancies.
4. Place these instructions in the vehicle's glove box after installation is complete.
5. These instructions must be followed for warranty to be upheld.

Fit Time: 15 mins

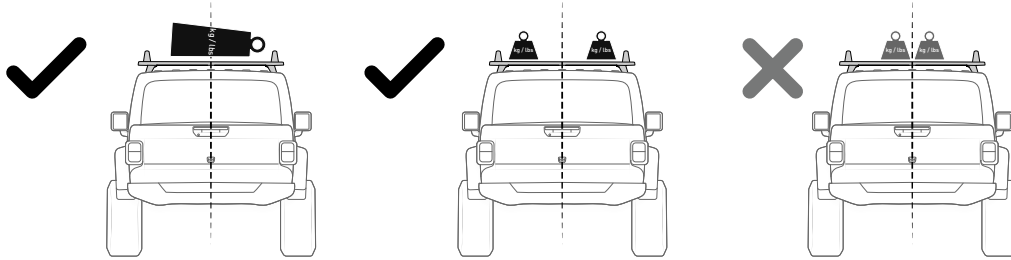


RHINORACK.COM

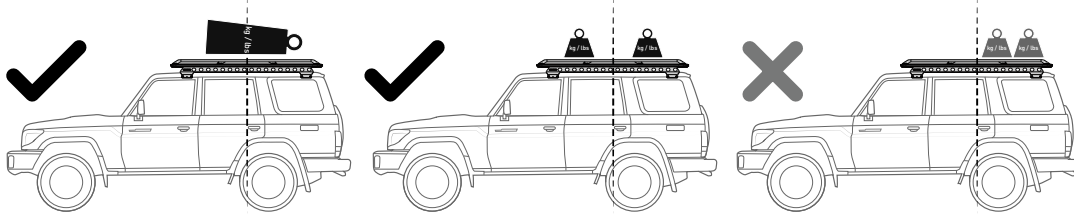
Doc. No: 520-RFI-00098

Issue No: 05

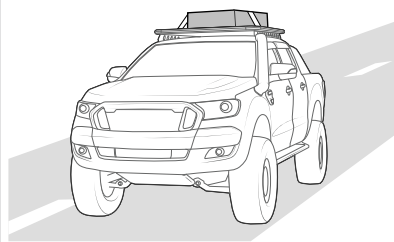
Issue Date: 03/02/2025



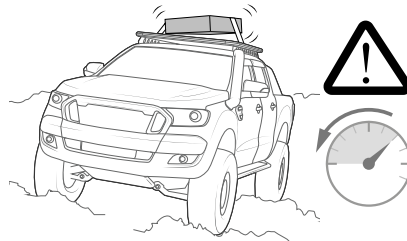
Distribute loads evenly and longitudinally as low as possible over the span.



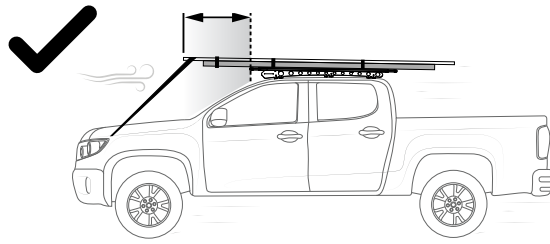
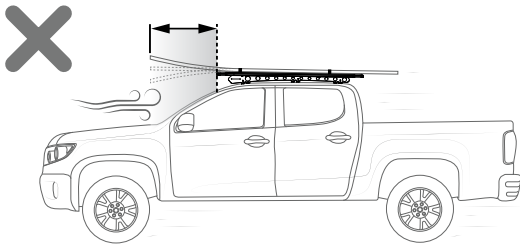
Avoid point loads concentrated at the front or rear.



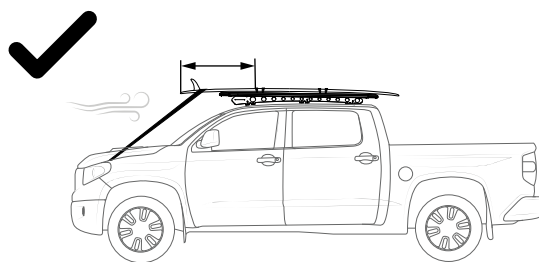
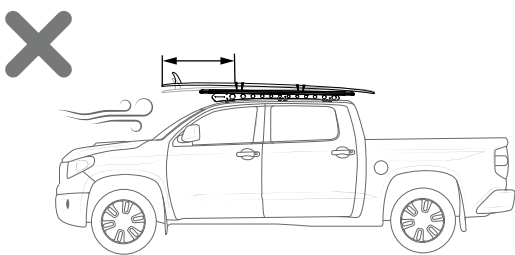
Exercise extreme care when transporting wind-resistant loads. Special consideration must be taken when cornering and braking.



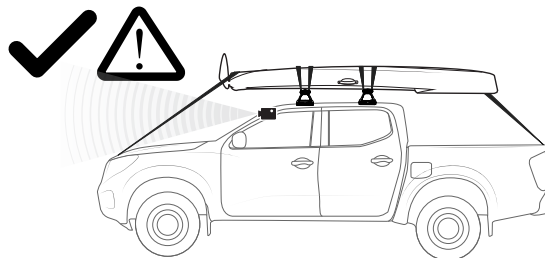
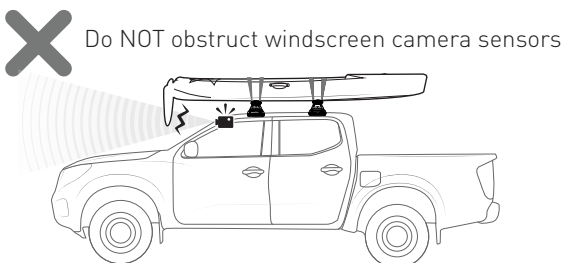
Off-road conditions can be much more rigorous. Extreme care must be taken on any driven path that does not contain a surface protection layer (tar/bitumen).



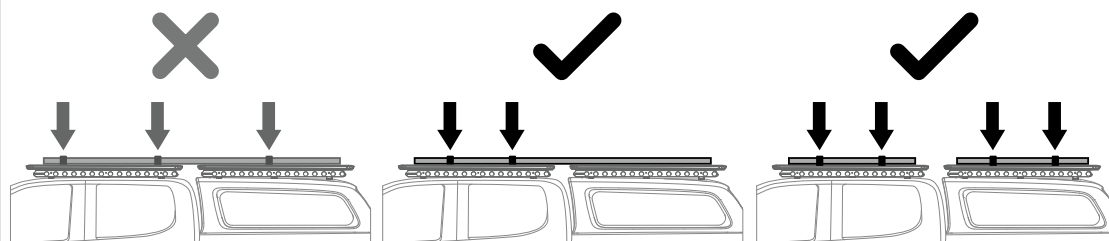
Long flexible loads must attach securely to rigid support and be tied down to the bonnet.



Surfboard Overhang greater than **600mm / 23 5/8in** must be tied to the bonnet

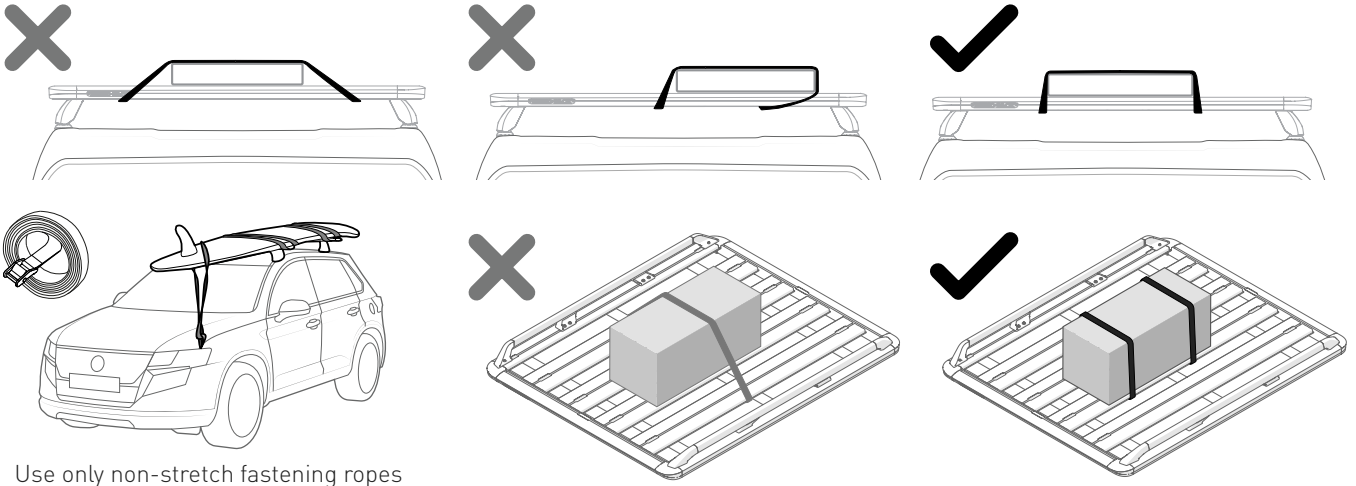


Warranty for roof rack system will be void if the front of the kayak is not secured to the bonnet

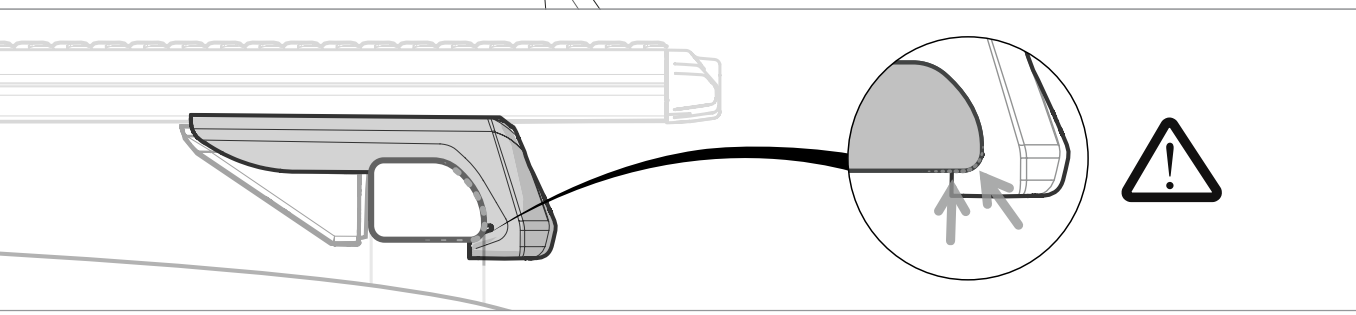
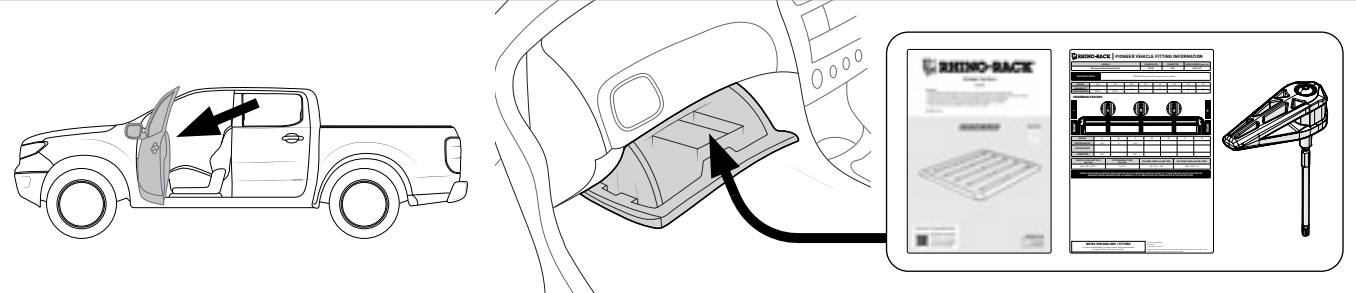
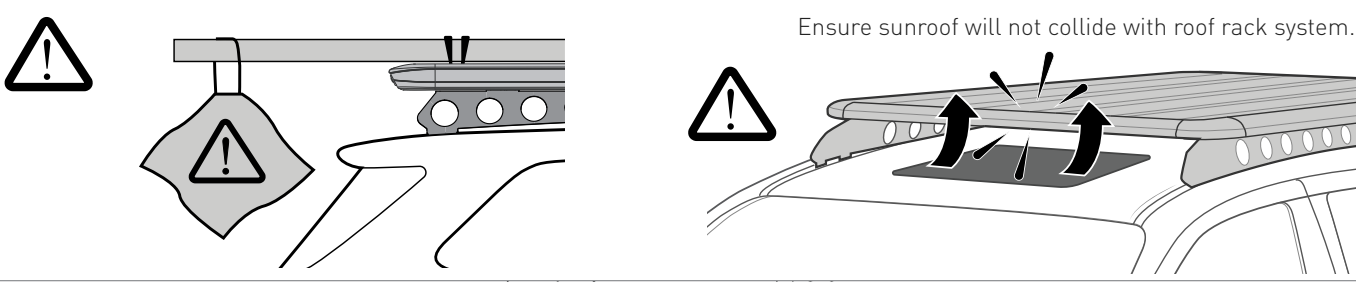


Tub/tray/canopys can move independently from the vehicle cabin.

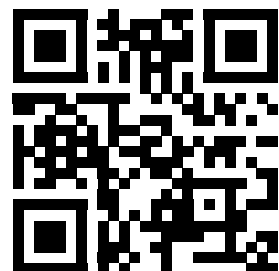
Rigidly fix to either the cabin roof racks **or** the tub/tray/canopy roof racks but not both simultaneously.



Use only non-stretch fastening ropes or straps to attach cargo to roof racks

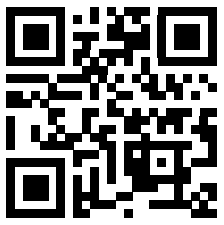


Youtube.com/Rhinorackaustralia



Carrying Capacity

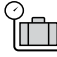
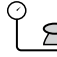
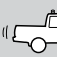

Check the website and the **vehicle owners hand book** for your vehicle manufacturer’s maximum carrying capacity. Load must be evenly distributed over the system.



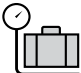
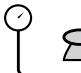


VISIT THE ONLINE CALCULATOR FOR CURRENT SYSTEM LOAD LIMIT DATA

DYNAMIC LOAD LIMIT (On and Off-road) :

*USE THE VEHICLE MANUFACTURER’S MAXIMUM ROOF ALLOWANCE IF IT IS LOWER THAN THE FIGURE LISTED

 CARGO	 SYSTEM WEIGHT	+	 LOAD LIMIT	OR	 Max kg
UP TO 95 KG 209 lbs	5 KG 11 lbs	=	UP TO 100 KG 220 lbs		*VEHICLE MANUFACTURER’S ROOF LOAD LIMIT

STATIC LOAD LIMIT: UP TO 250KG / 551LBS*

 Cargo Load Limit Total permissible weight allowed on top, and attached to roof racks whilst the vehicle is in motion.	 System Weight Total weight of the roof rack system. (e.g. Crossbars, Backbone, Platform)	 Max System Load Capacity Please ensure you use the vehicle manufacturer’s maximum roof allowance if it is lower than the figure listed in the fitting chart/supplement.	 Vehicle Manufacturer’s Load Limit Total permissible weight attached to the roof of the car. This is inclusive of the weight of the roof rack system.
----------------------------------------------------------------------------------------------------------------------------------------------------------------------------------------------------------------------	-----------------------------------------------------------------------------------------------------------------------------------------------------------------------------------------	------------------------------------------------------------------------------------------------------------------------------------------------------------------------------------------------------------------------------------------------------------------------	-------------------------------------------------------------------------------------------------------------------------------------------------------------------------------------------------------------------------------------------------------

In service maintenance checks

- All bolt connections should be checked after driving a short distance (5-10 mins street roads) when you first install your roof racks.
- All bolted connections should be checked again at regular intervals (weekly is recommended, depending on road conditions, usage, loads and distances travelled).
- All bolted connections should be checked each time they are re-fitted.
- Off-road conditions are more rigorous. Check all bolted connections and your load more regularly.
- Ensure that your vehicle manufacturer’s GVM, and gross axle weights are not exceeded (refer to vehicle owner’s manual).

Torque Settings:

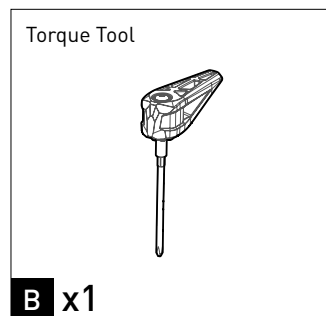
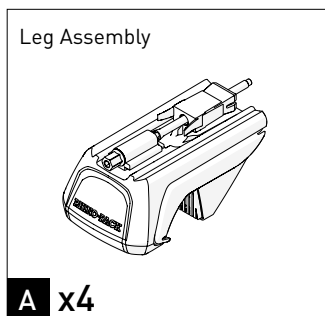
Unless stated otherwise in these instructions, all fasteners should be set to the following torque settings:



Note for Dealers and Fitters

It is your responsibility to ensure these fitting instructions are given to the end user or client. These instructions remain the property of Rhino-Rack Australia Pty. Ltd. and may not be used or changed for any other purpose than intended.

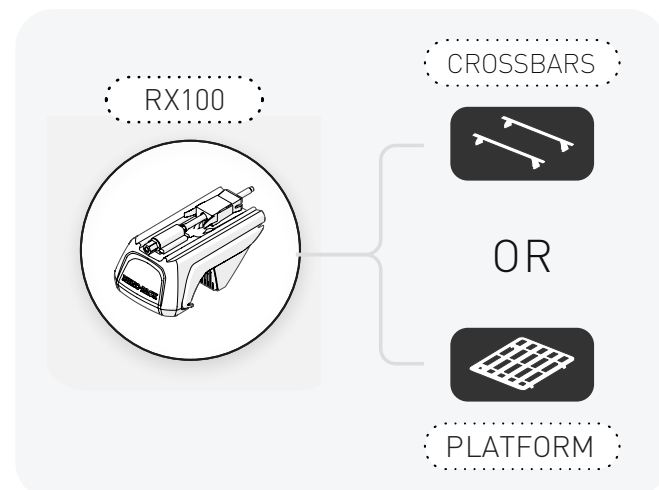
Parts



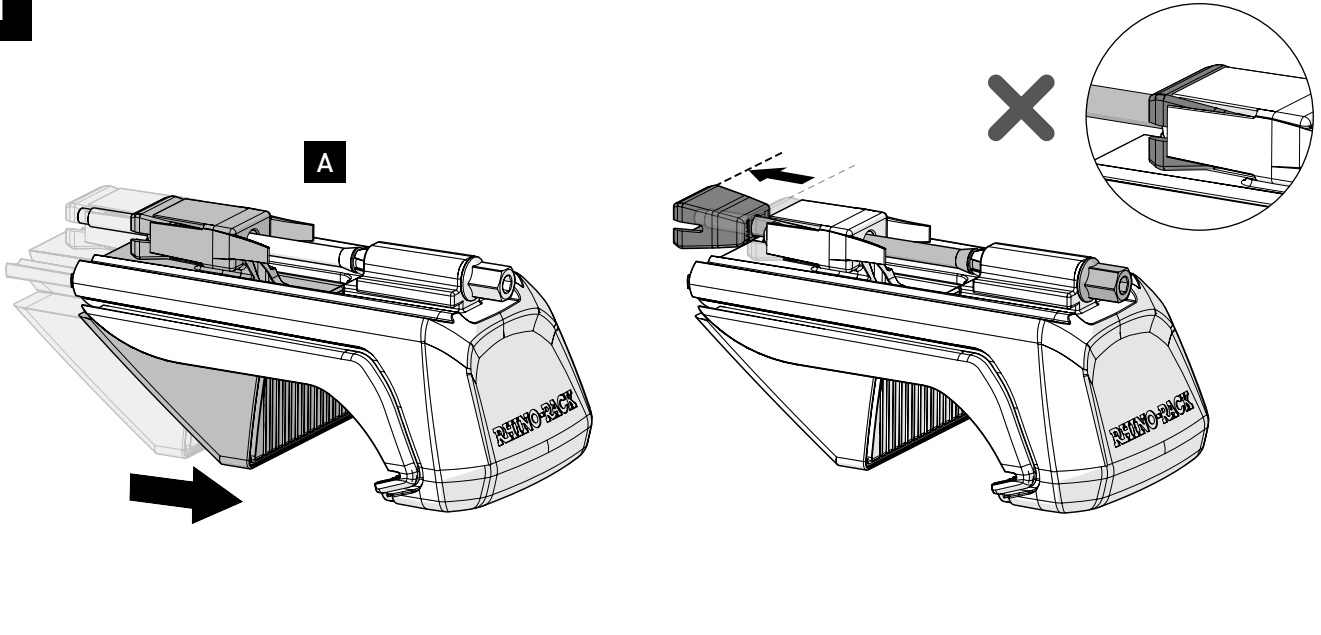
TOOLS REQUIRED:

- T1** - Tape Measure
- T2** - Marker / Pencil
- T3** - Knife or Scissors
- T4** - Drill and 8mm Drill Bit (For some Platform Fits)

Compatibility



1



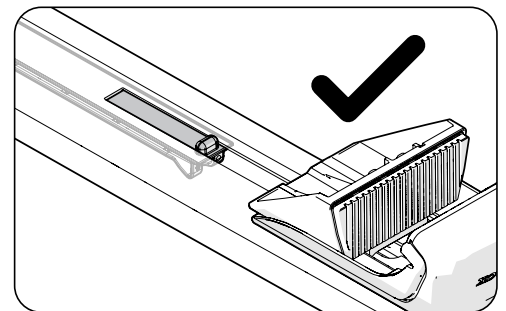
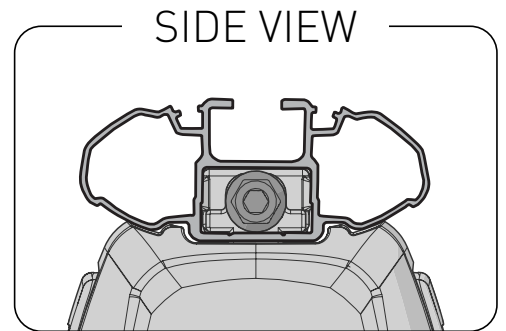
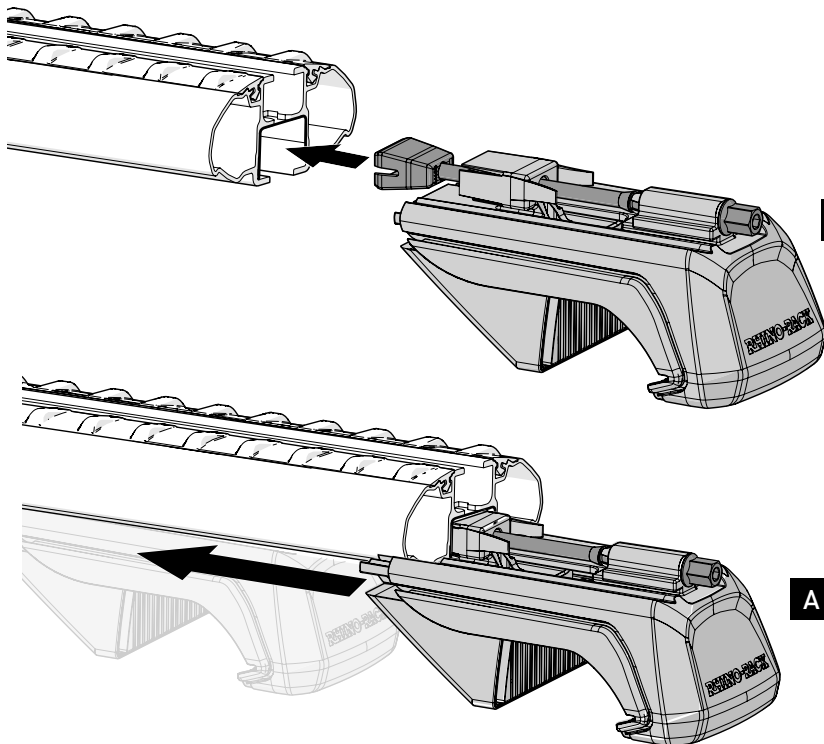
2a



FOR SPORTZ CROSS BARS

FOR PIONEER PLATFORMS SKIP TO **2b**

FOR VORTEX BARS SKIP TO **19**



2b

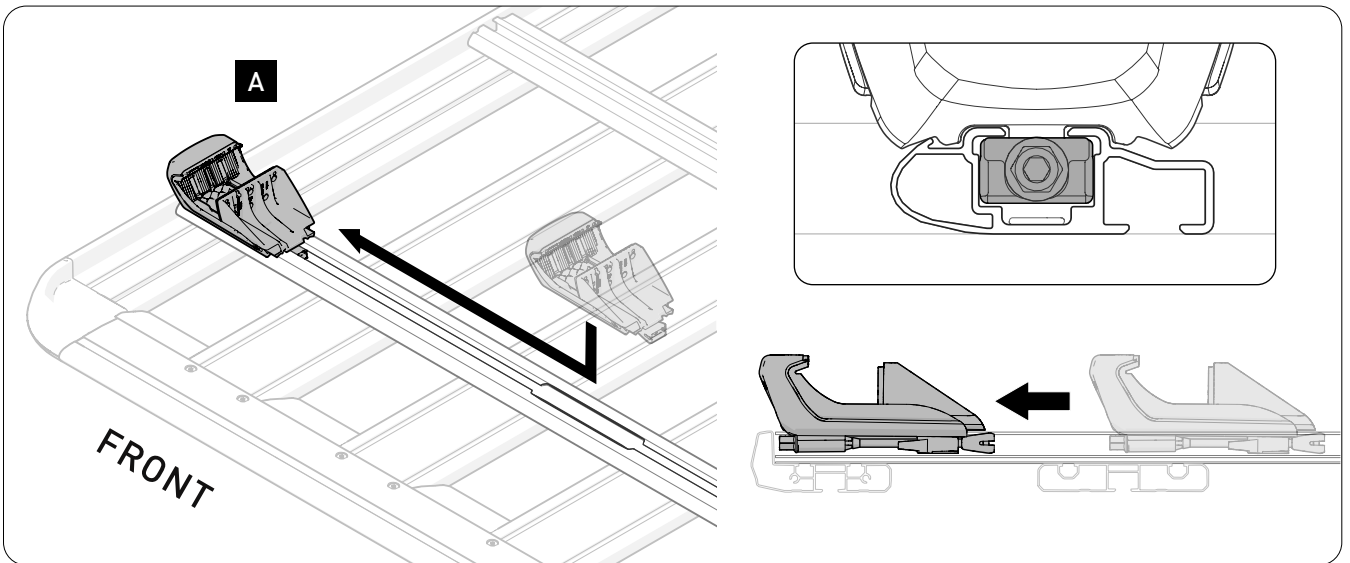
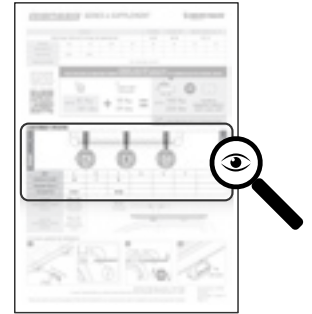
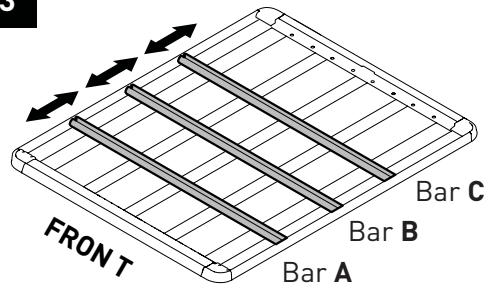


FOR PIONEER PLATFORMS

FOR SPORTZ CROSS BARS SKIP TO **3**

3

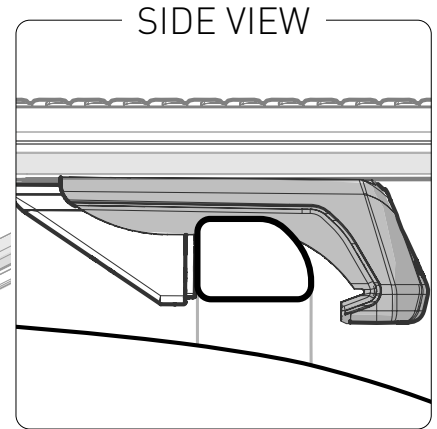
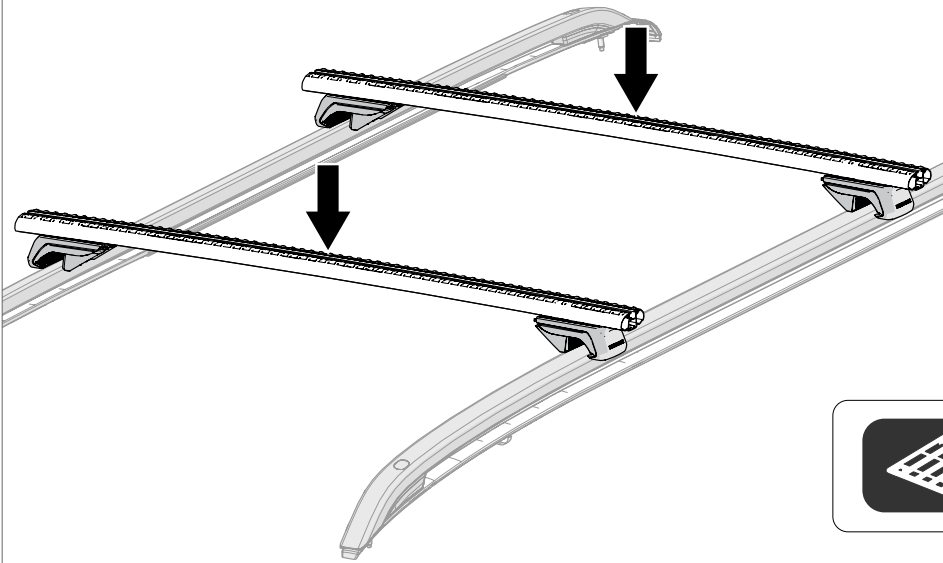
Proceed to vehicle-specific PIONEER FITTING CHART to adjust Platform underbars and for rail positioning.



3



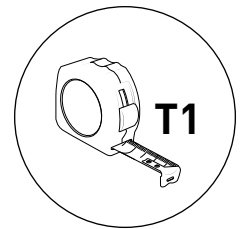
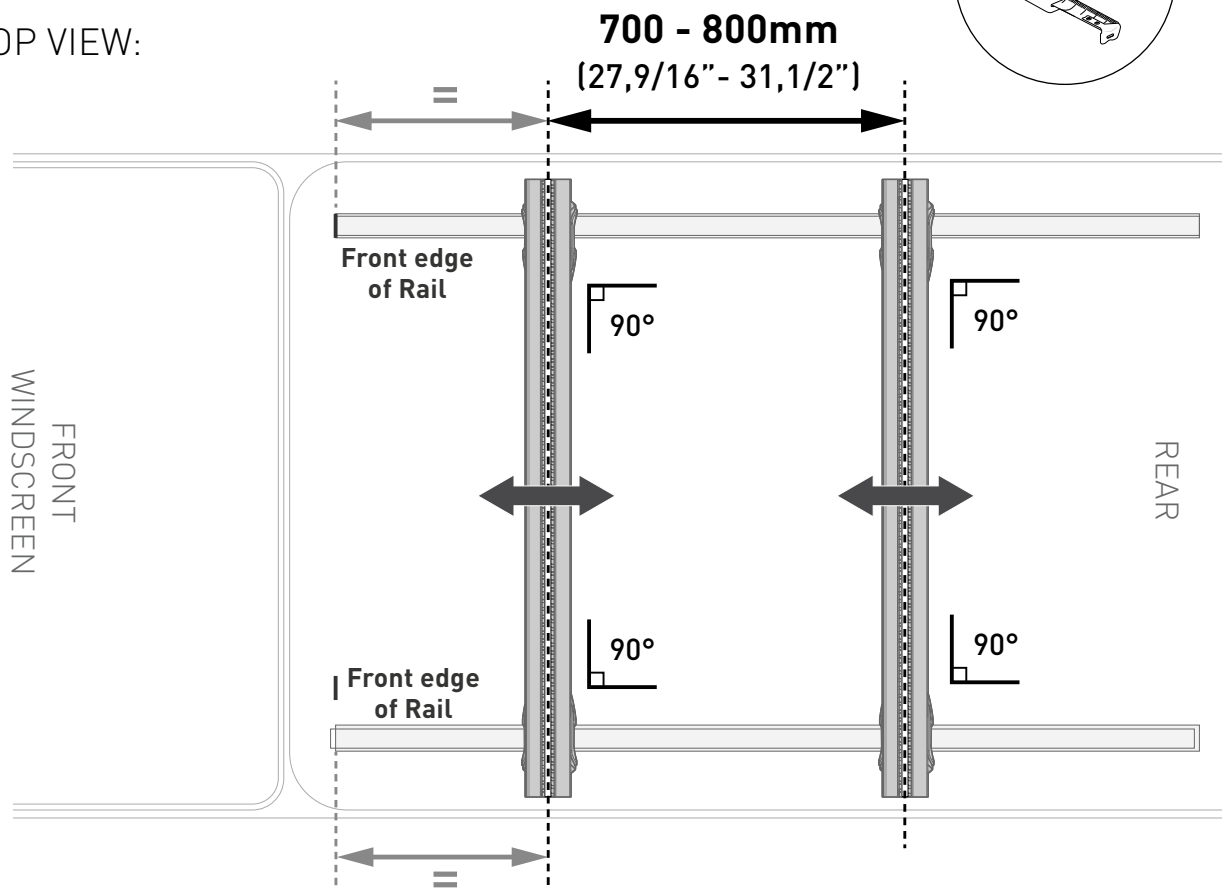
4



ONCE COMPLETED
SKIP TO STEP **14**

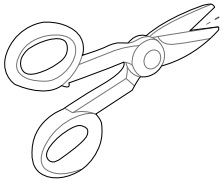
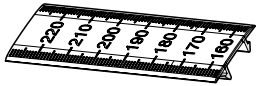
5

TOP VIEW:

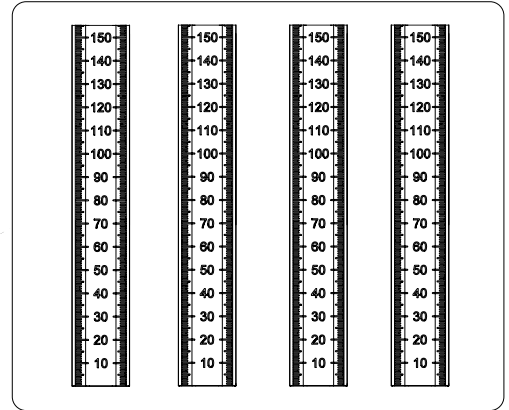
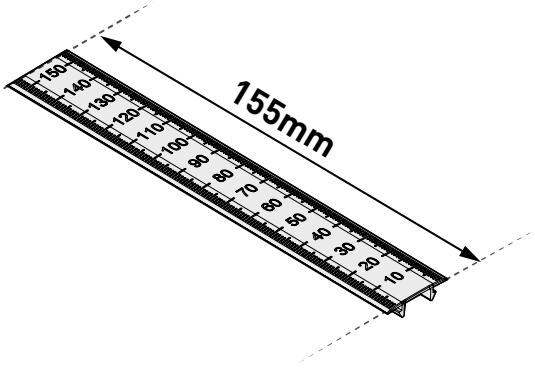


6

NOTE:
In bar kit

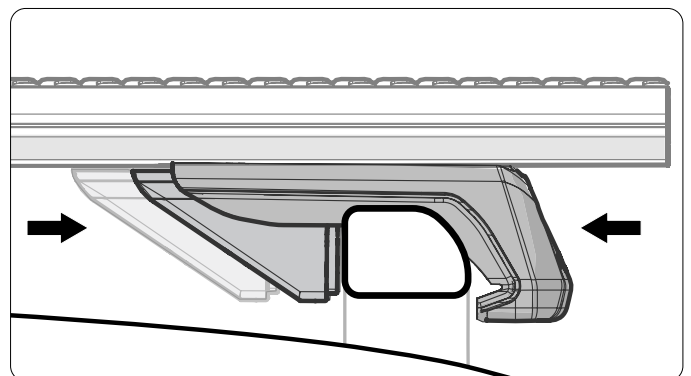
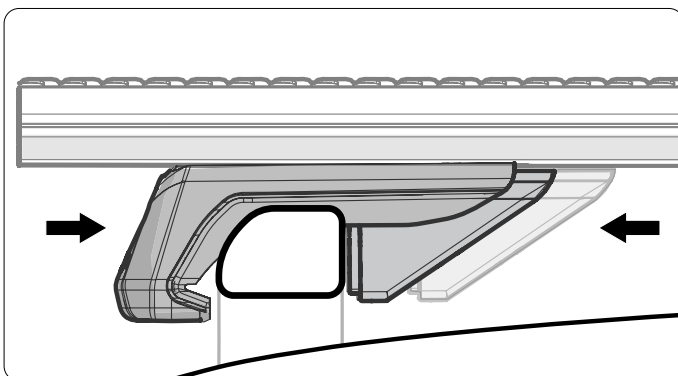
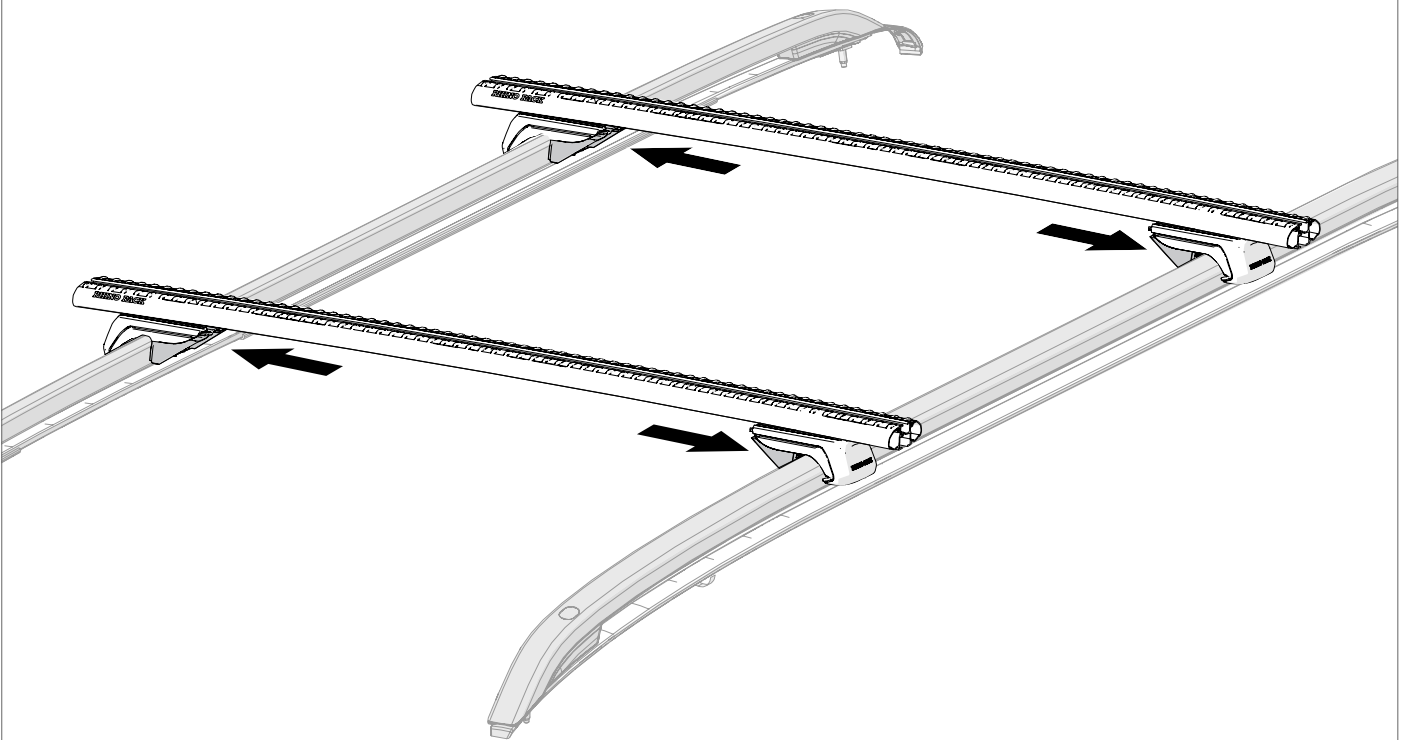


T3

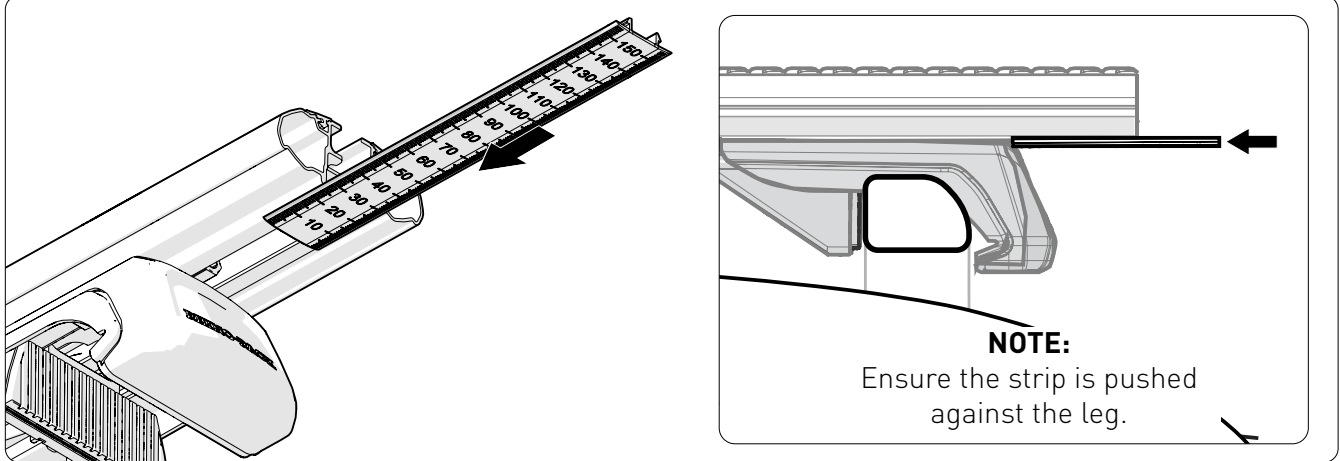
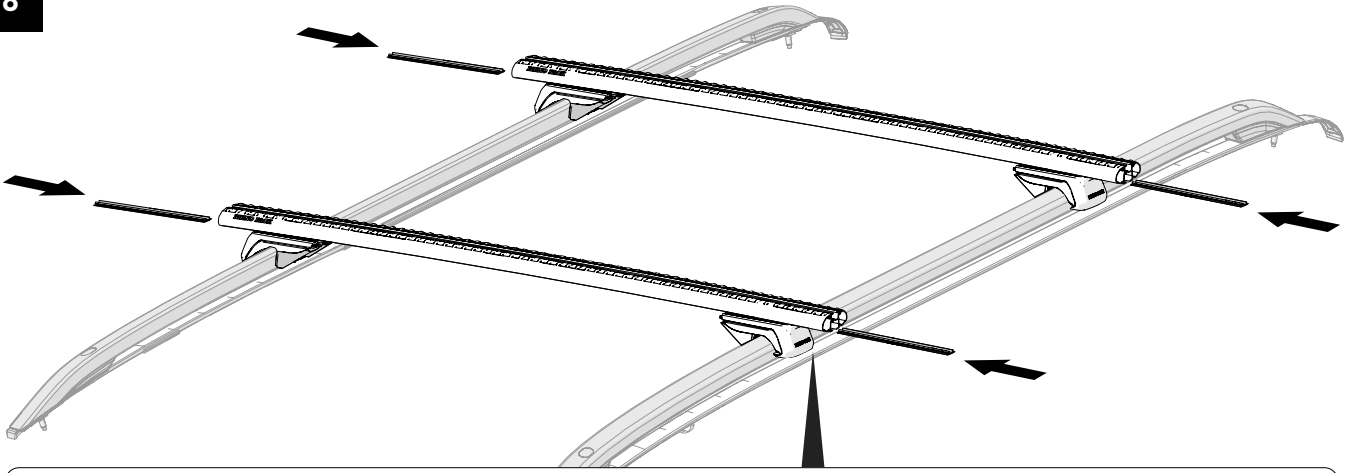


X4

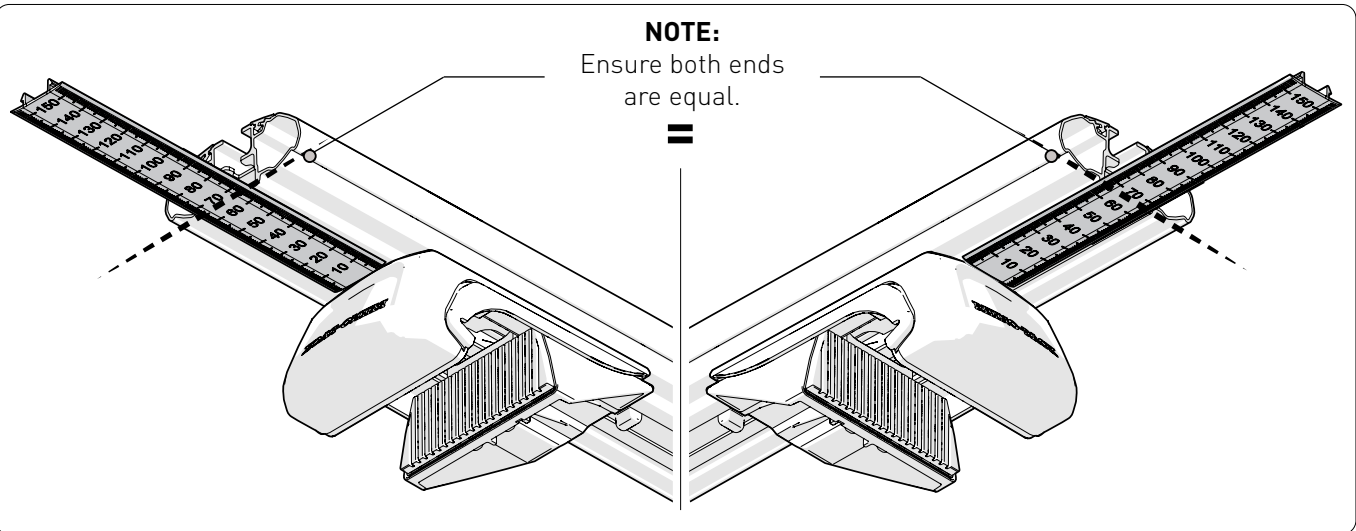
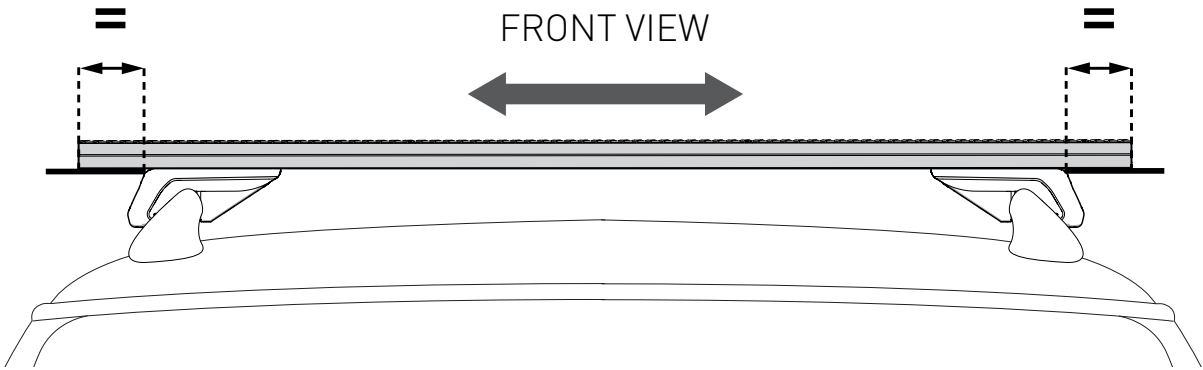
7



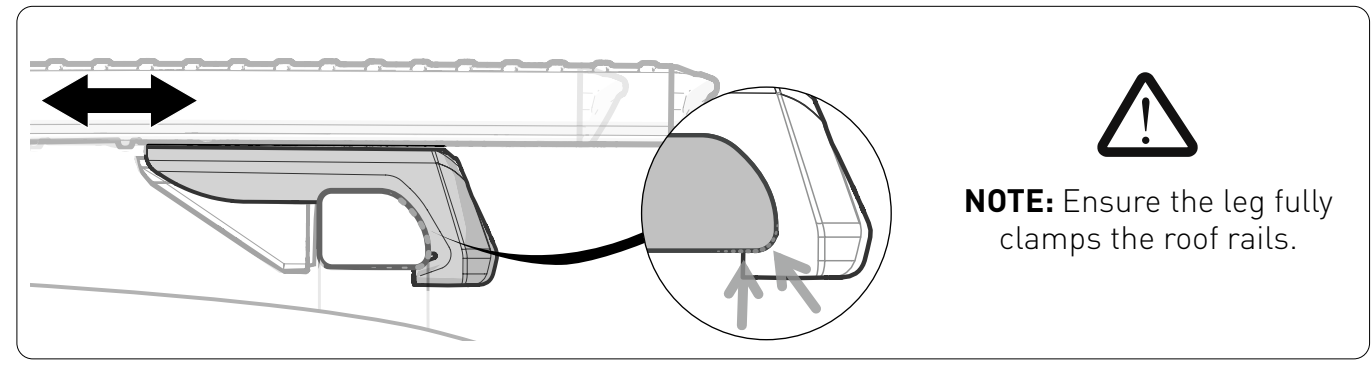
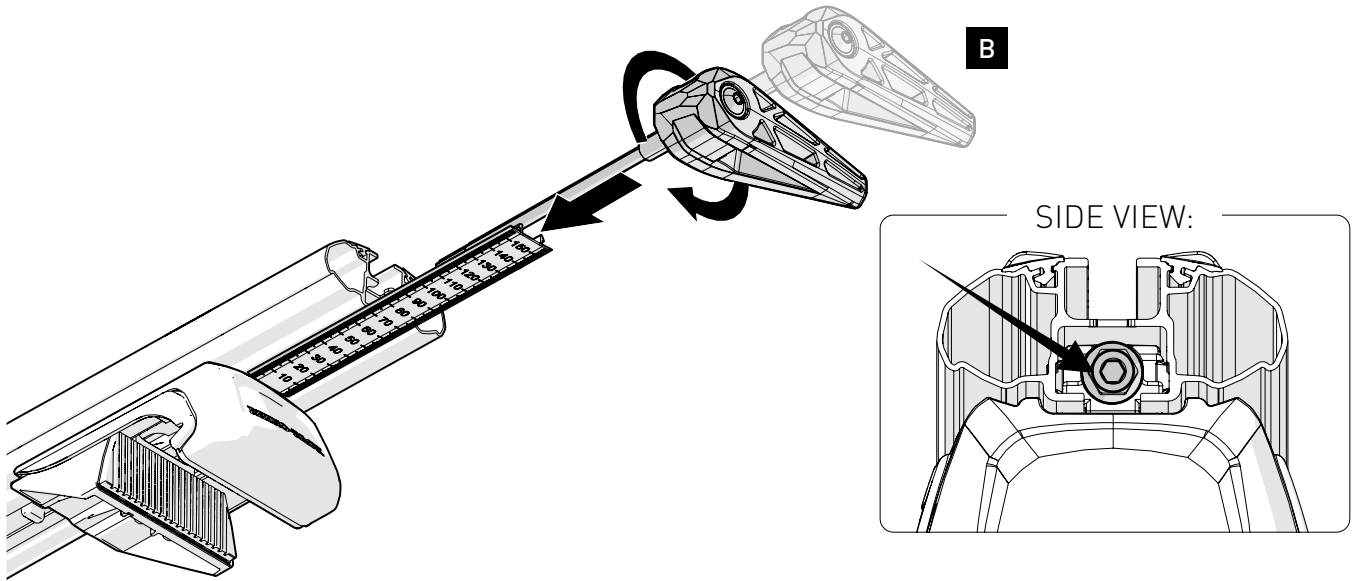
8



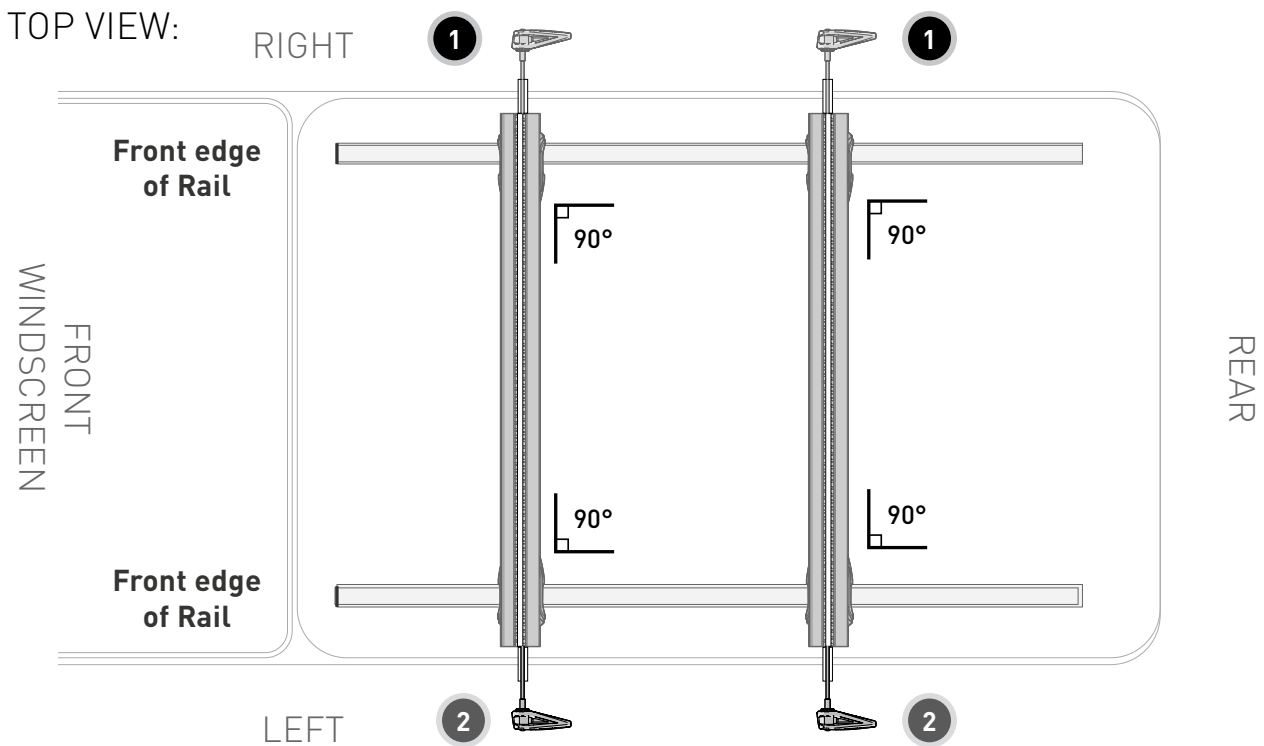
9



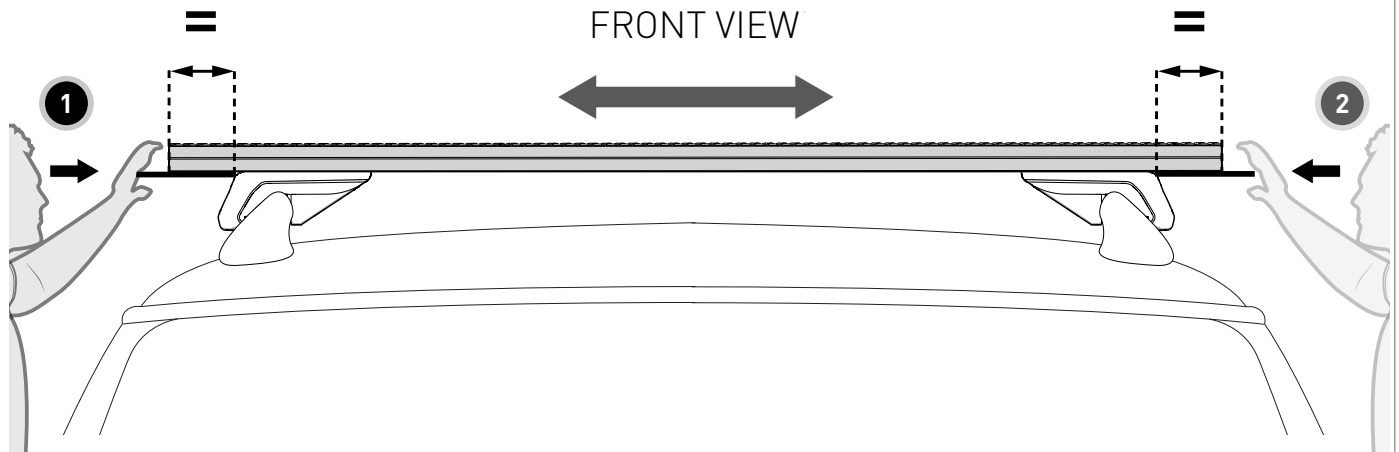
10 Slightly tighten so that there is enough grip on the bar to hold the leg in place.



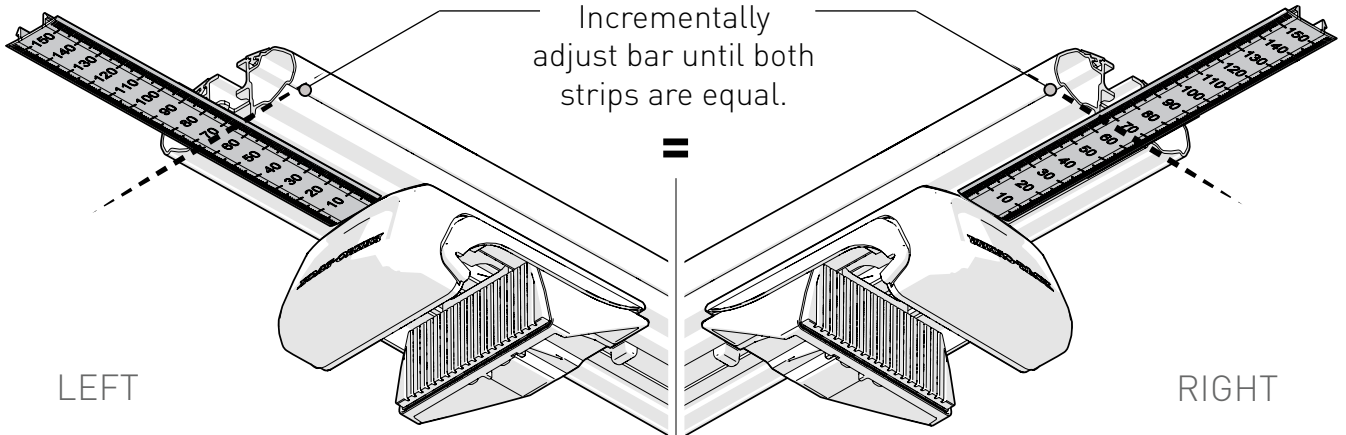
11 Incrementally tighten each leg so that crossbars are firmly set in position.



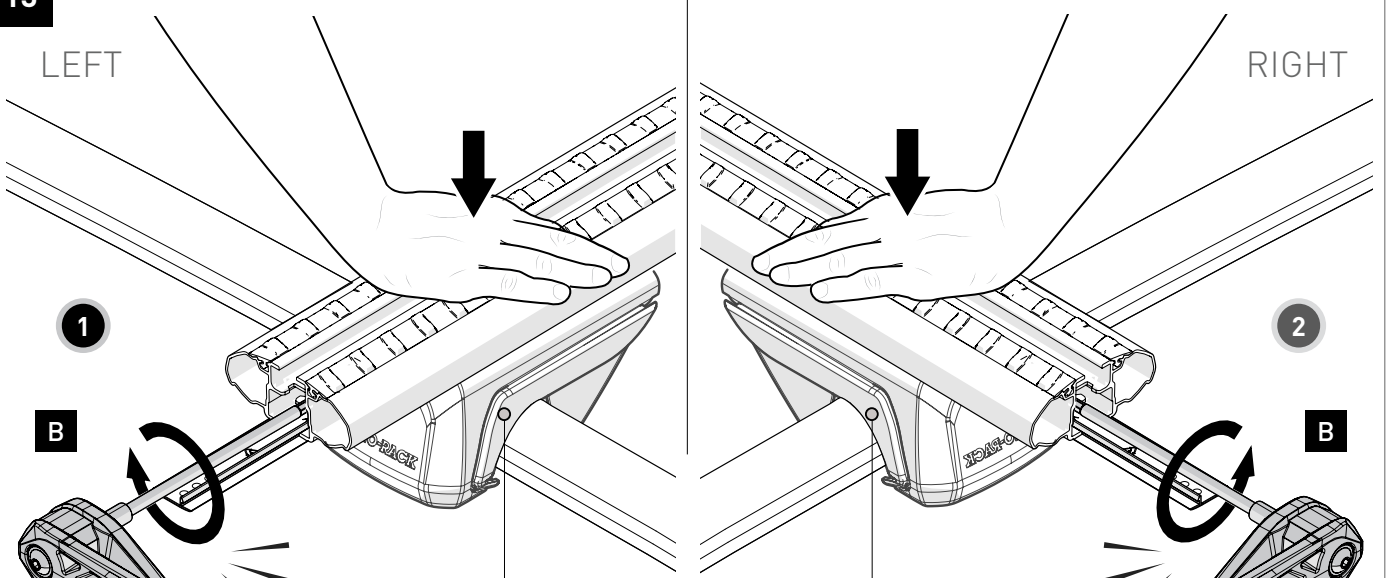
12 **NOTE:** Ensure the strip is pushed against the leg.



NOTE:
Incrementally
adjust bar until both
strips are equal.



13



NOTE: Check
rubber gasket is
correctly sealed
with roof rail.

Or tighten leg to



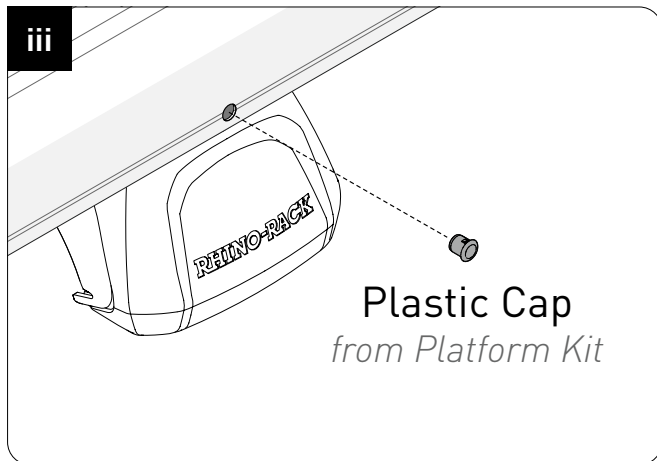
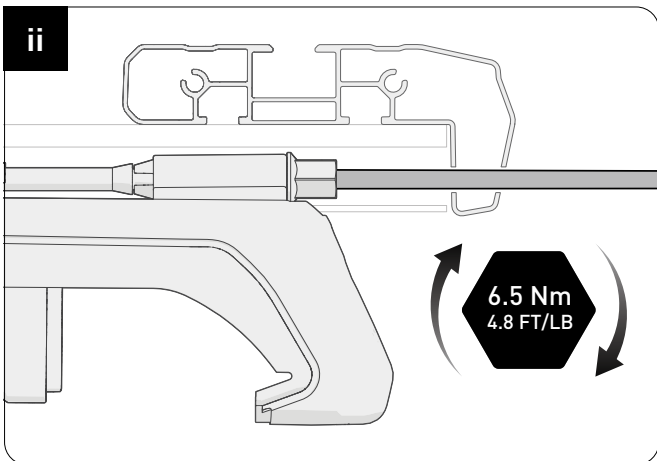
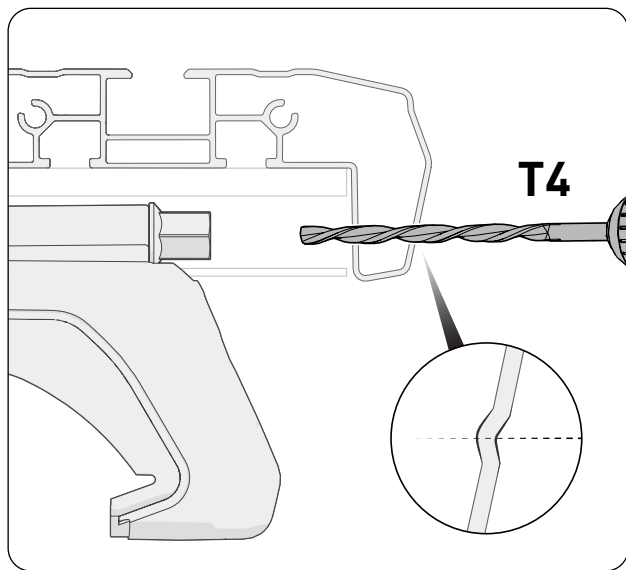
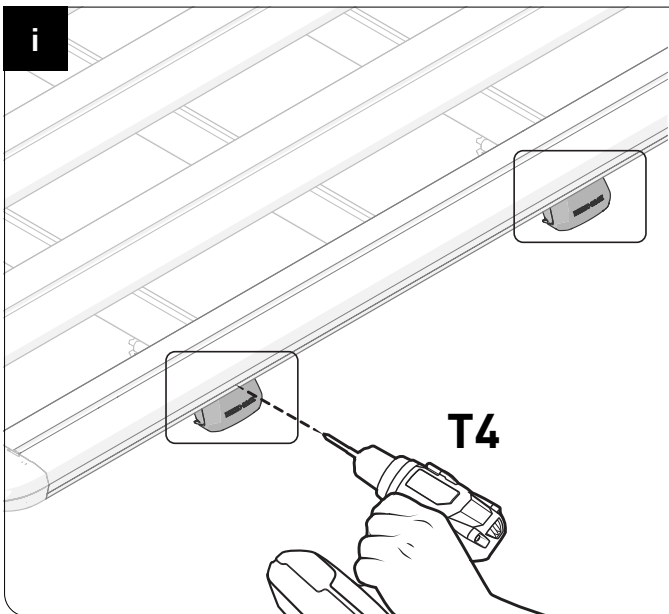
14



NOTE FOR PIONEER PLATFORMS FOR WHEN 6.5NM CANNOT BE OBTAINED



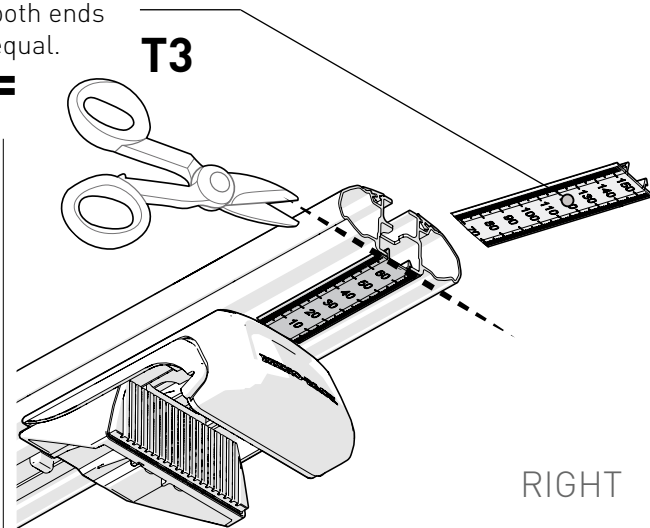
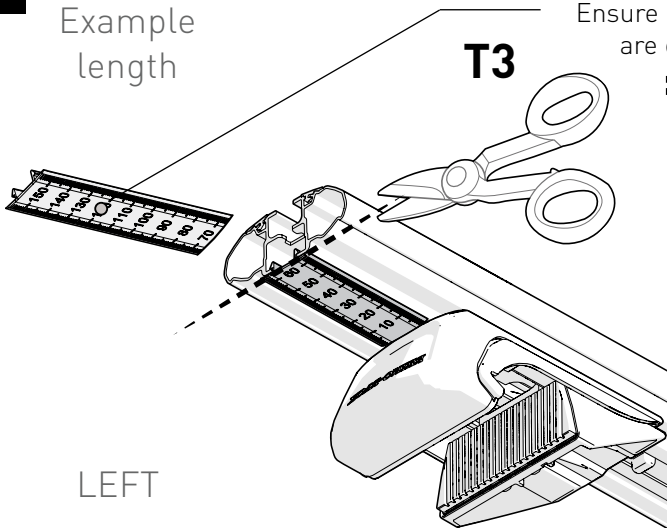
SKIP TO **15**



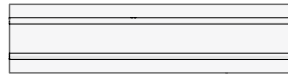
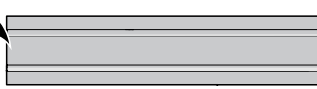
15

Example length

NOTE:
Ensure both ends
are equal.

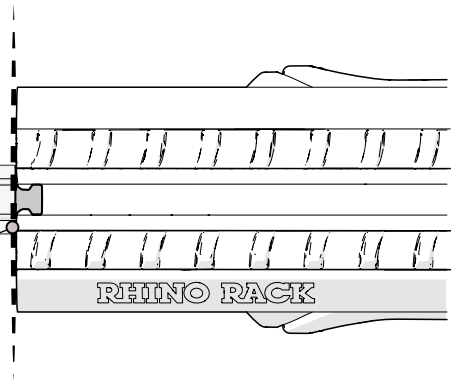


Step continues to the next page.

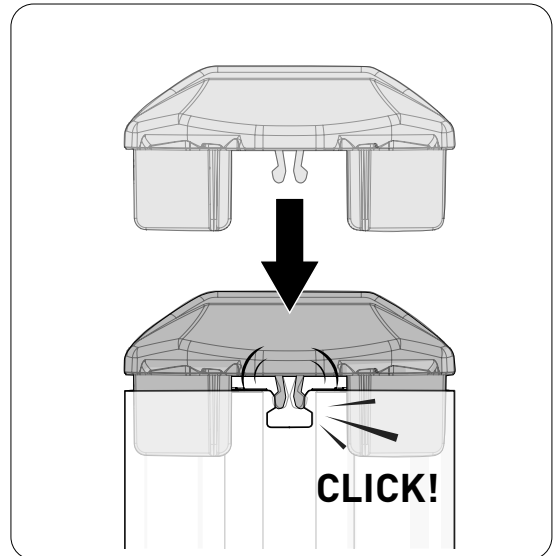
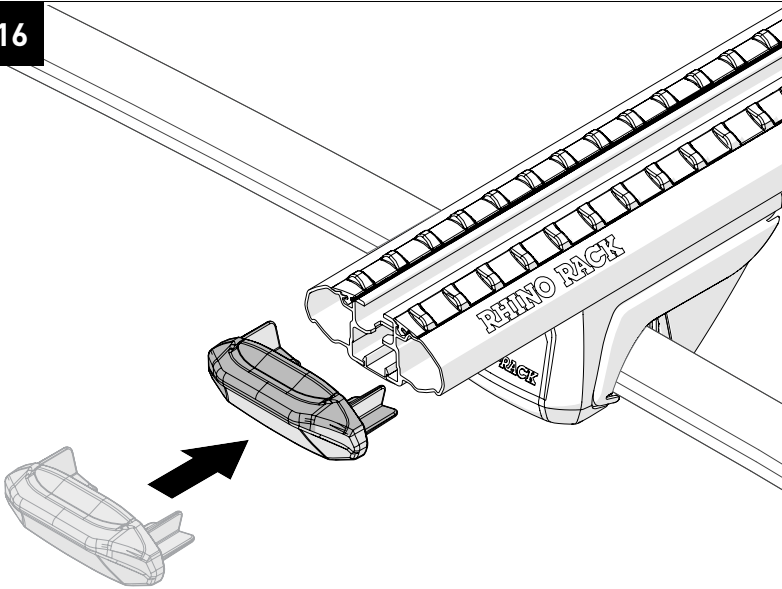


NOTE:
Cut measurement strip flush with the edge of the bar.

T3

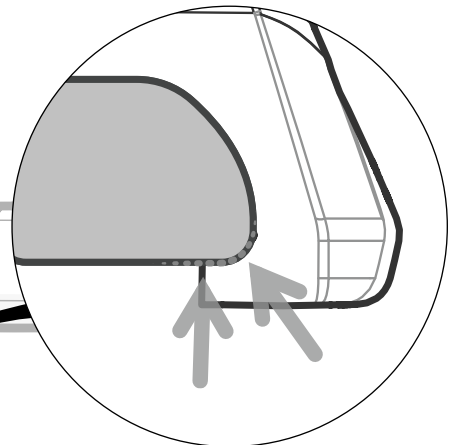


16



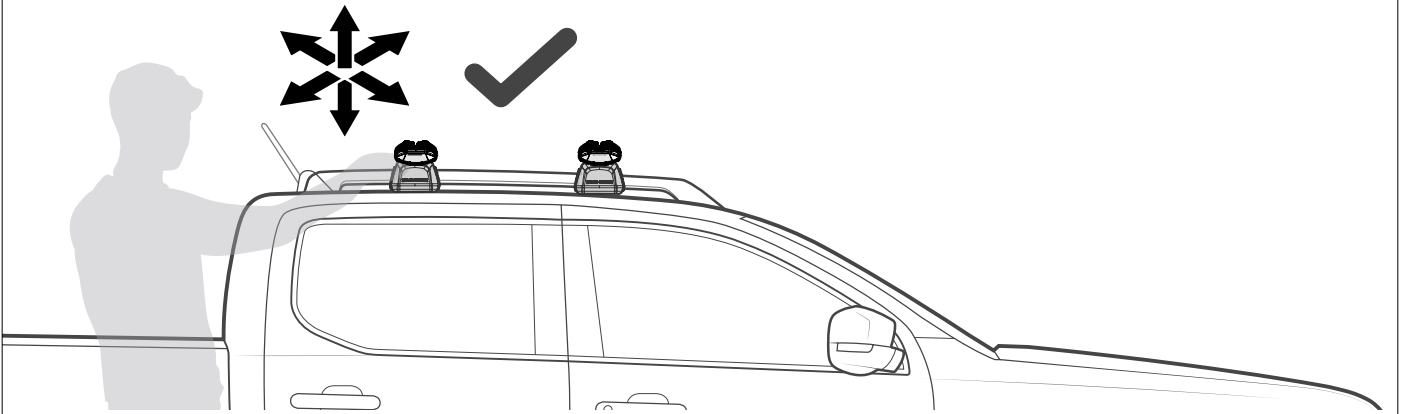
17

Ensure the leg hooks tightly under the roof rails.



18

Check fitment is secure before use.



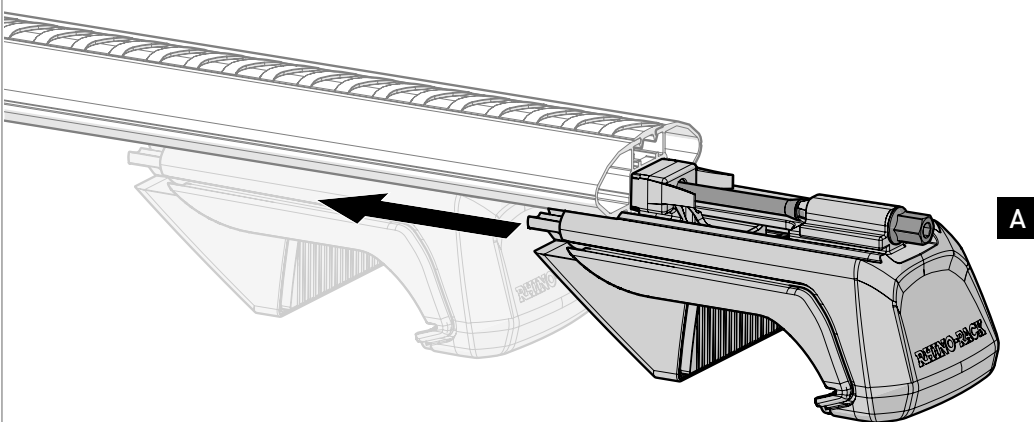
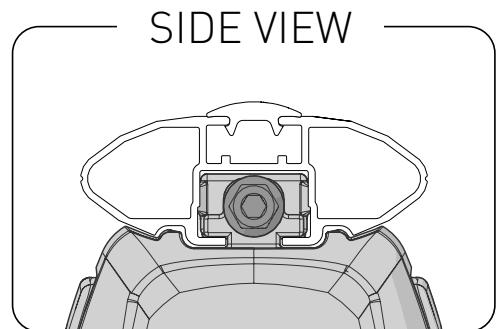
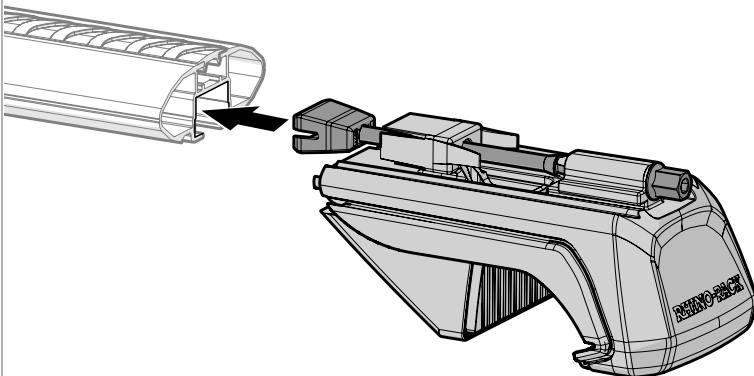
SPORTZ Bar Installation Complete.



19



FOR VORTEX CROSS BARS



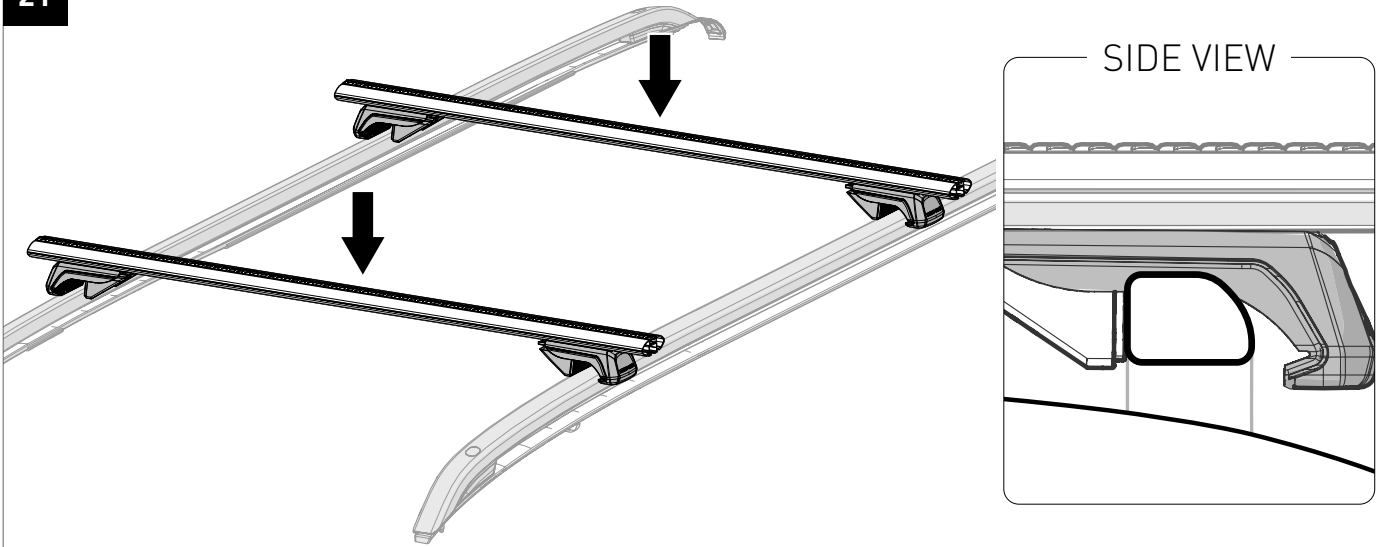
NOTE: For vehicles PRE 2022, skip to Step **20** after completing this Step.

NOTE: For vehicles POST 2022, skip to Step **33** after completing this Step.

20



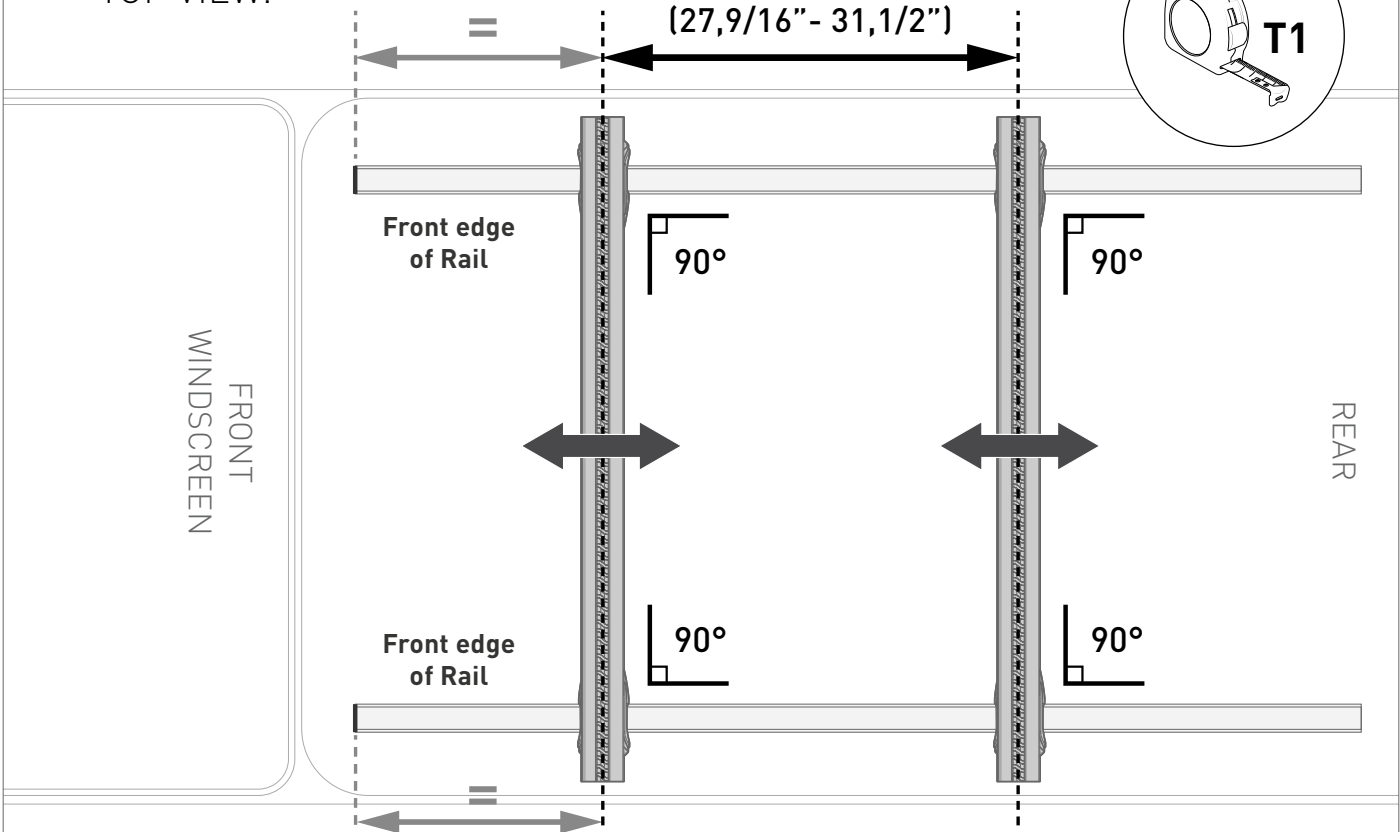
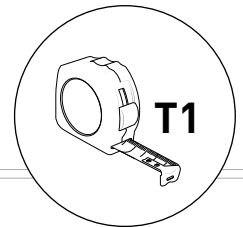
21



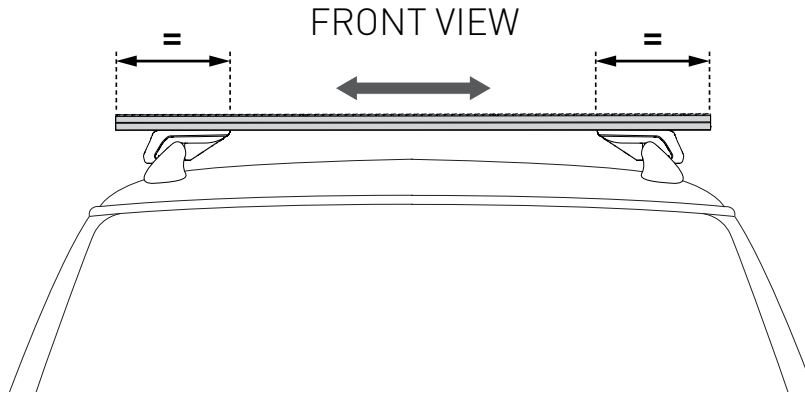
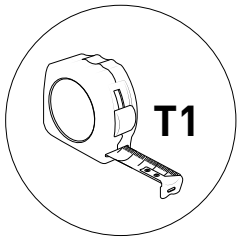
22

TOP VIEW:

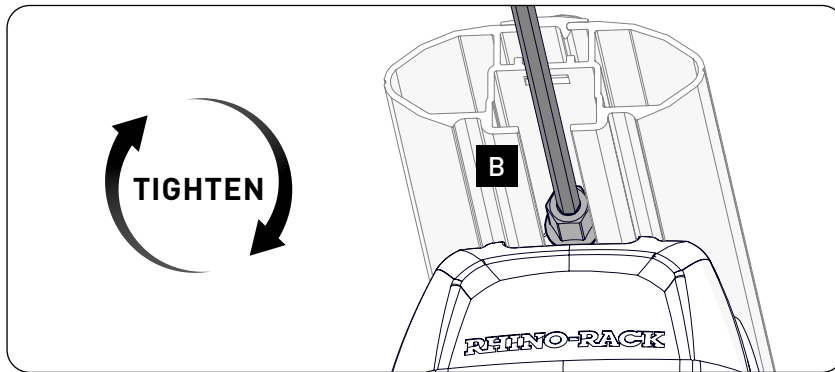
700 - 800mm
(27,9/16" - 31,1/2")



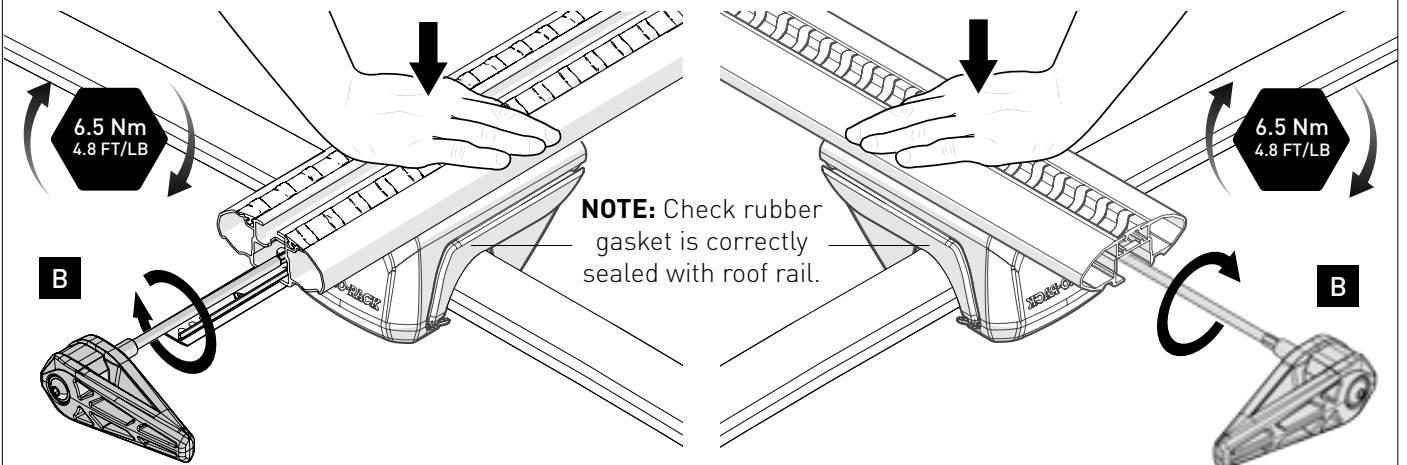
23



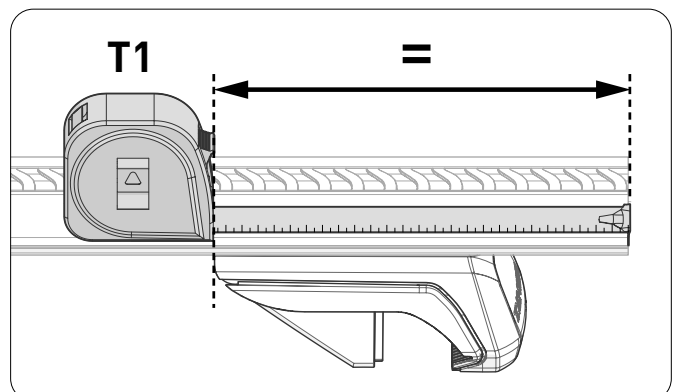
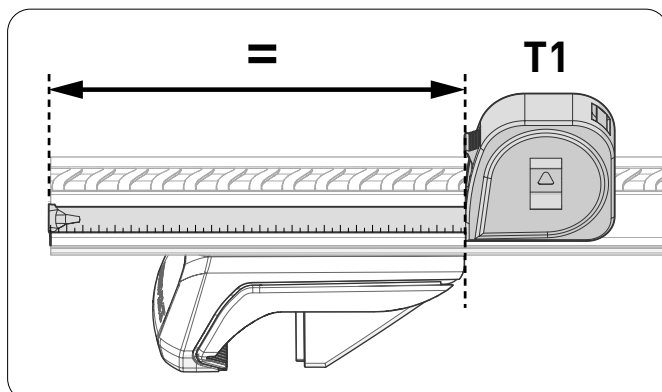
24

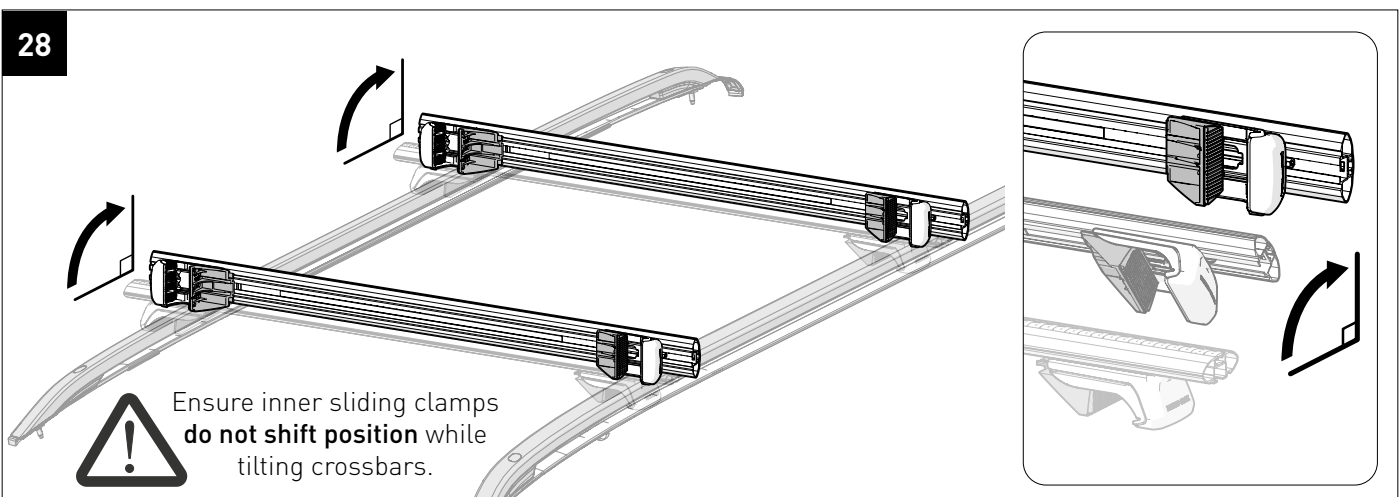
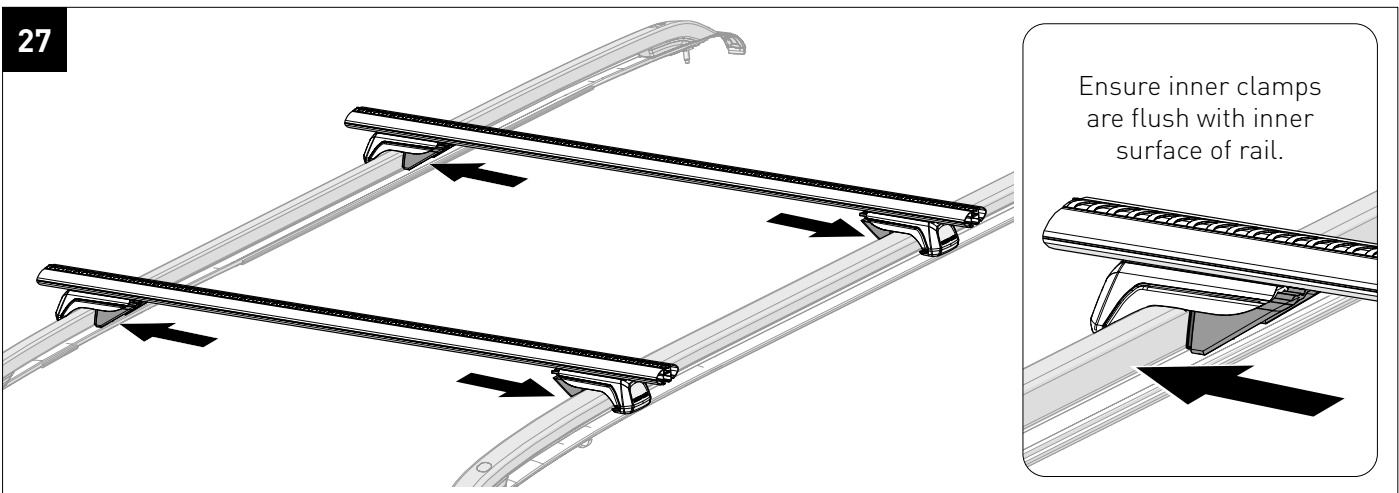
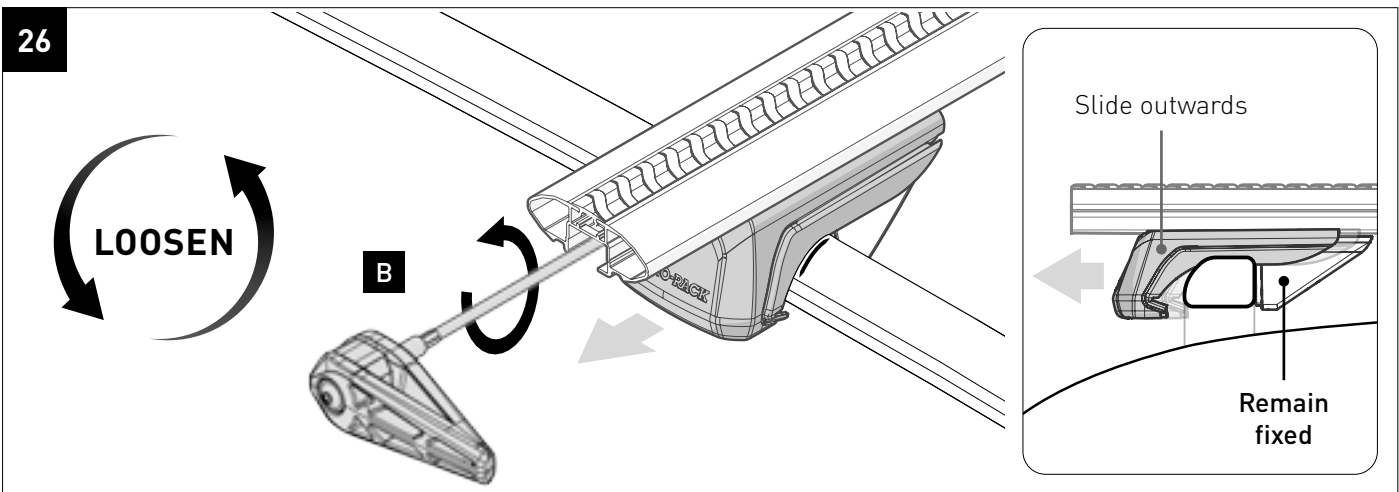
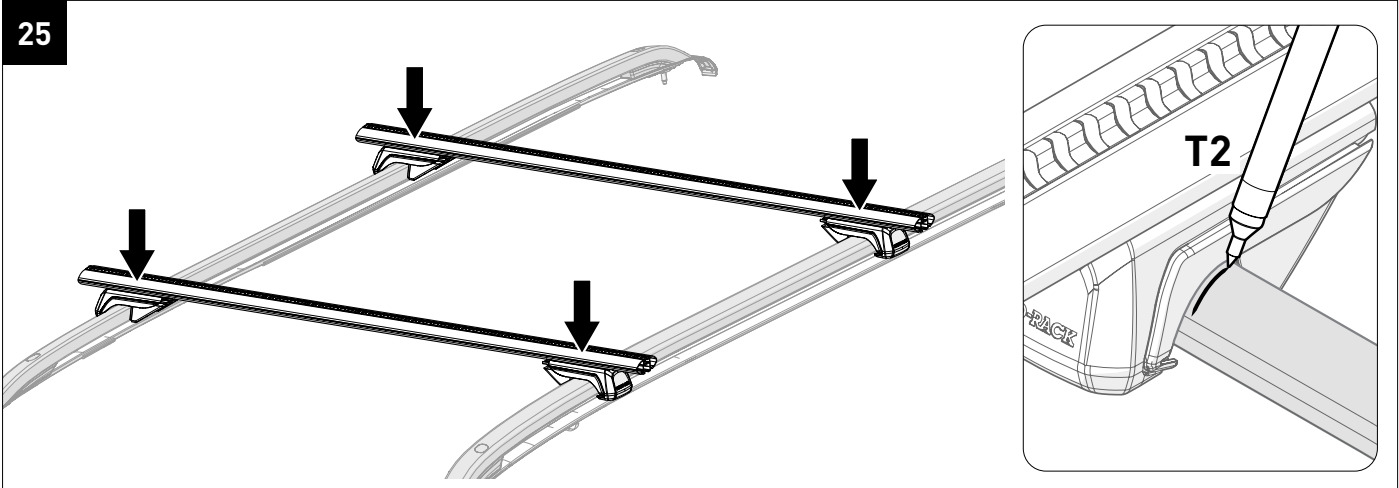


Incrementally tighten each leg so that crossbars are firmly set in position.

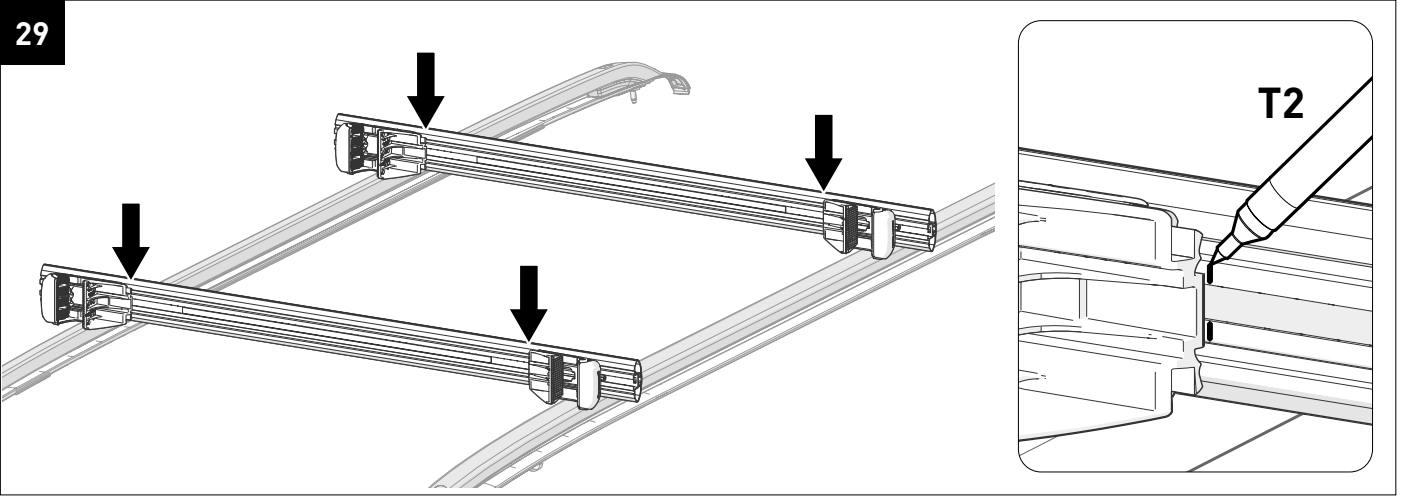


While incrementally tightening legs, check bar/platform overhang is still equidistant.





29



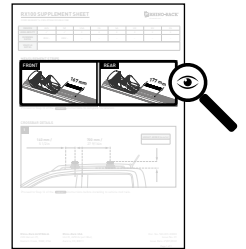
30

For POST 2022 Vehicles:

Refer to Fit Sheet for underbar strip dimensions and cut to size.

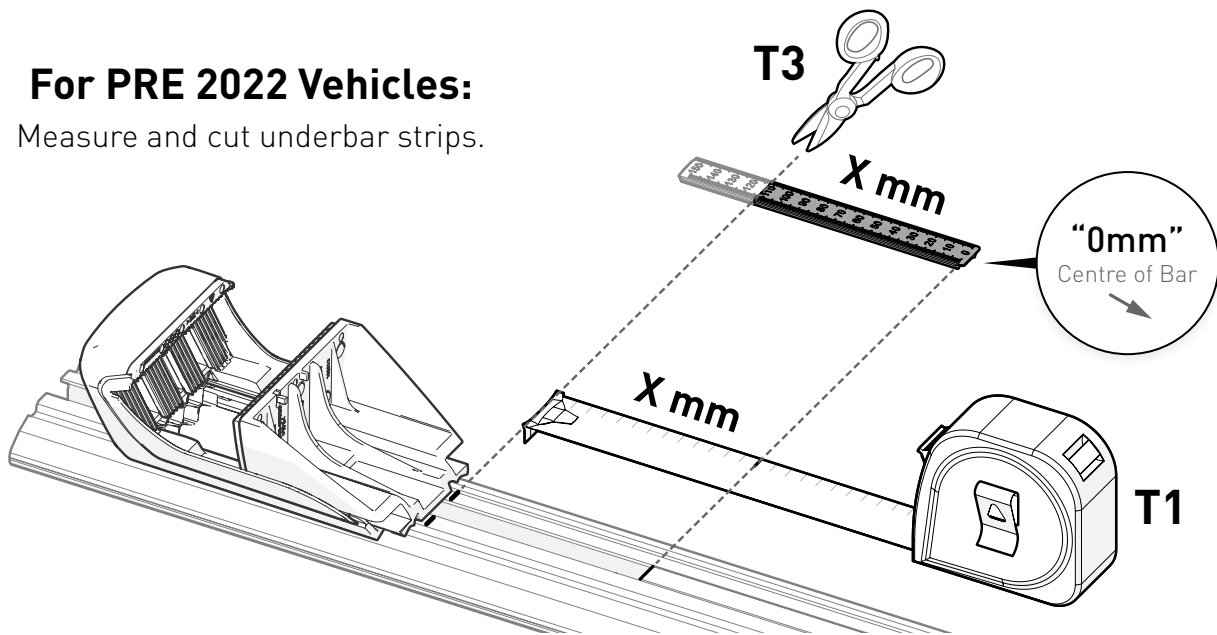


rhinorack.com/roof

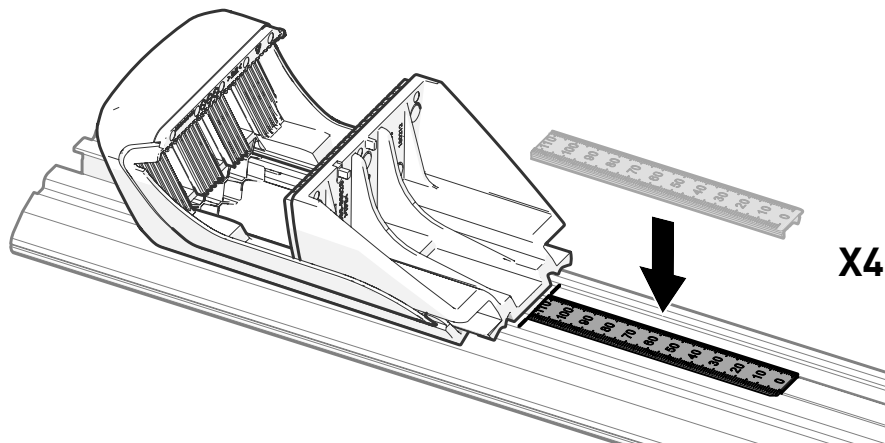


For PRE 2022 Vehicles:

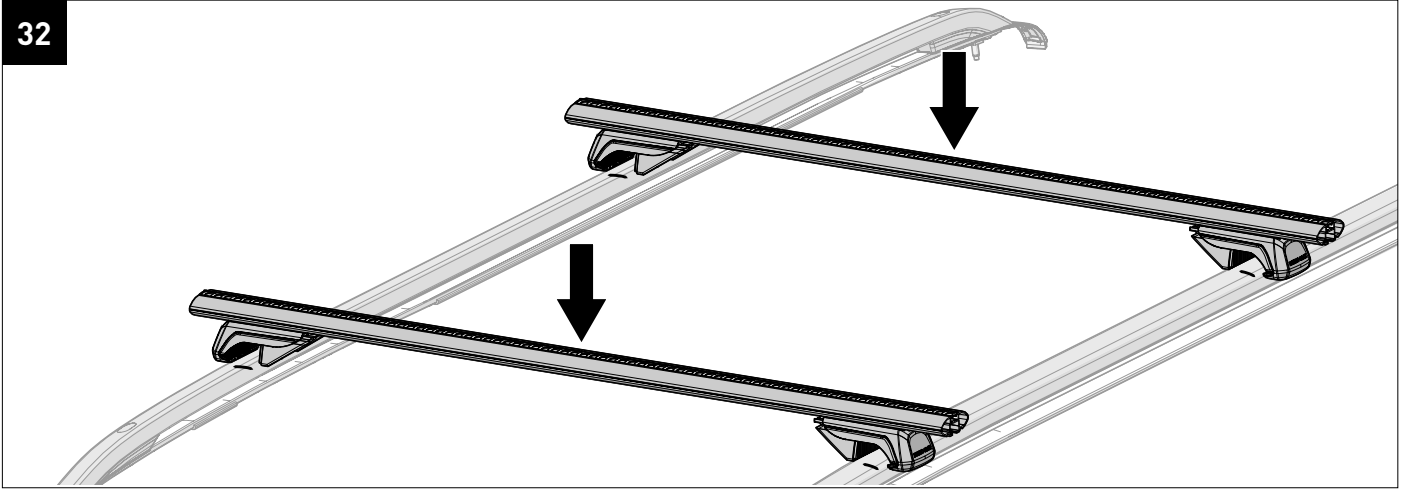
Measure and cut underbar strips.



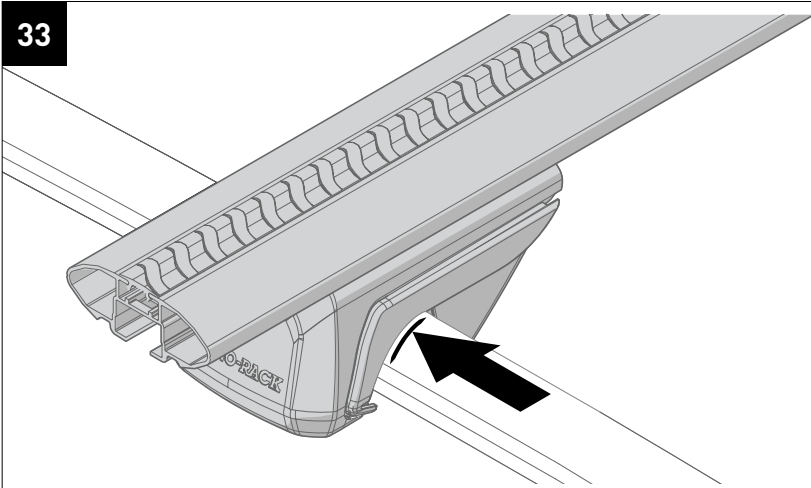
31



32



33



For POST 2022 Vehicles:

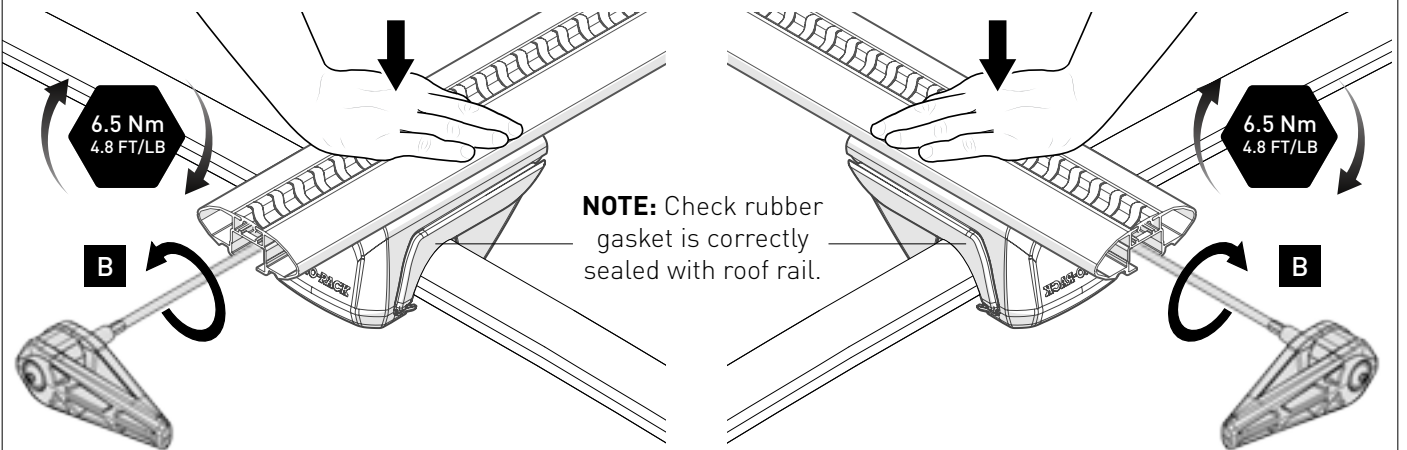
Refer to vehicle-specific Crossbar Supplement for rail positioning.

For Pre 2022 Vehicles:

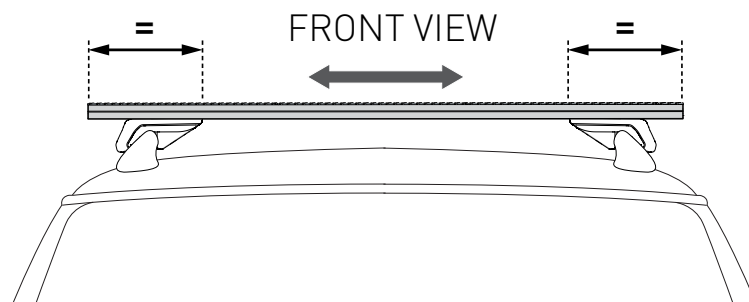
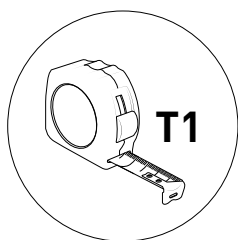
Crossbars: Realign to Step 29 markings.

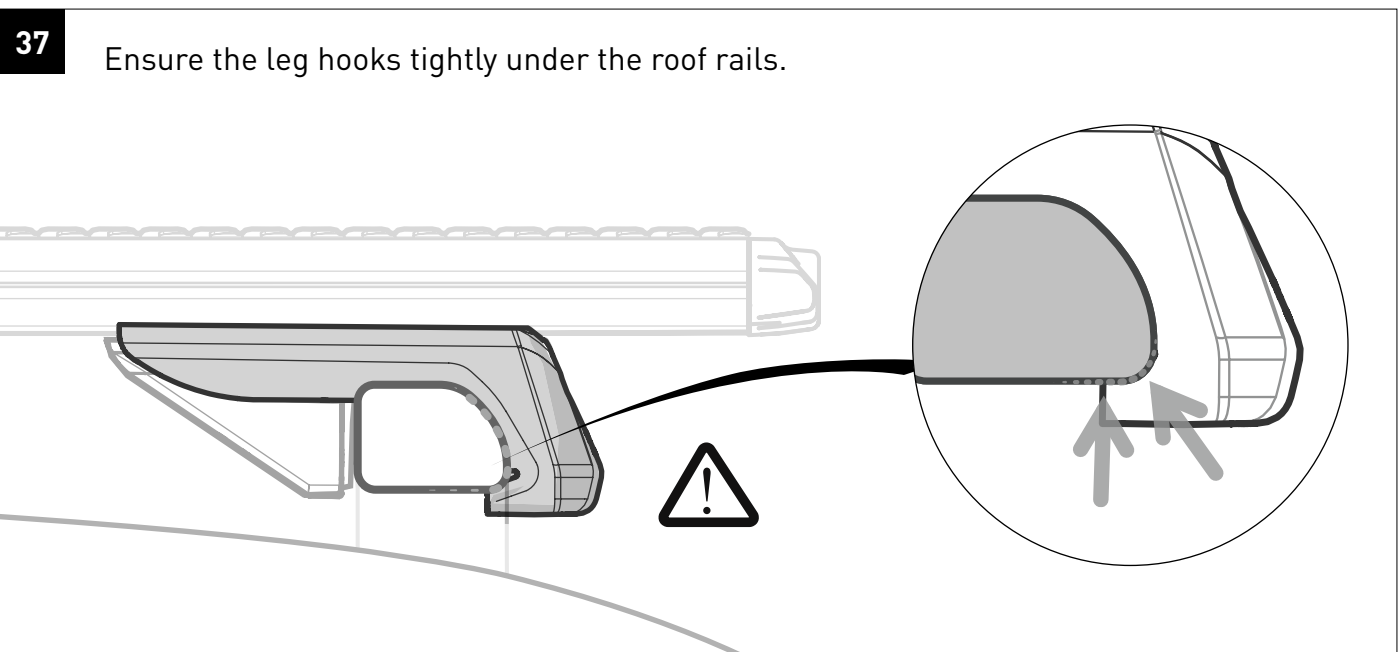
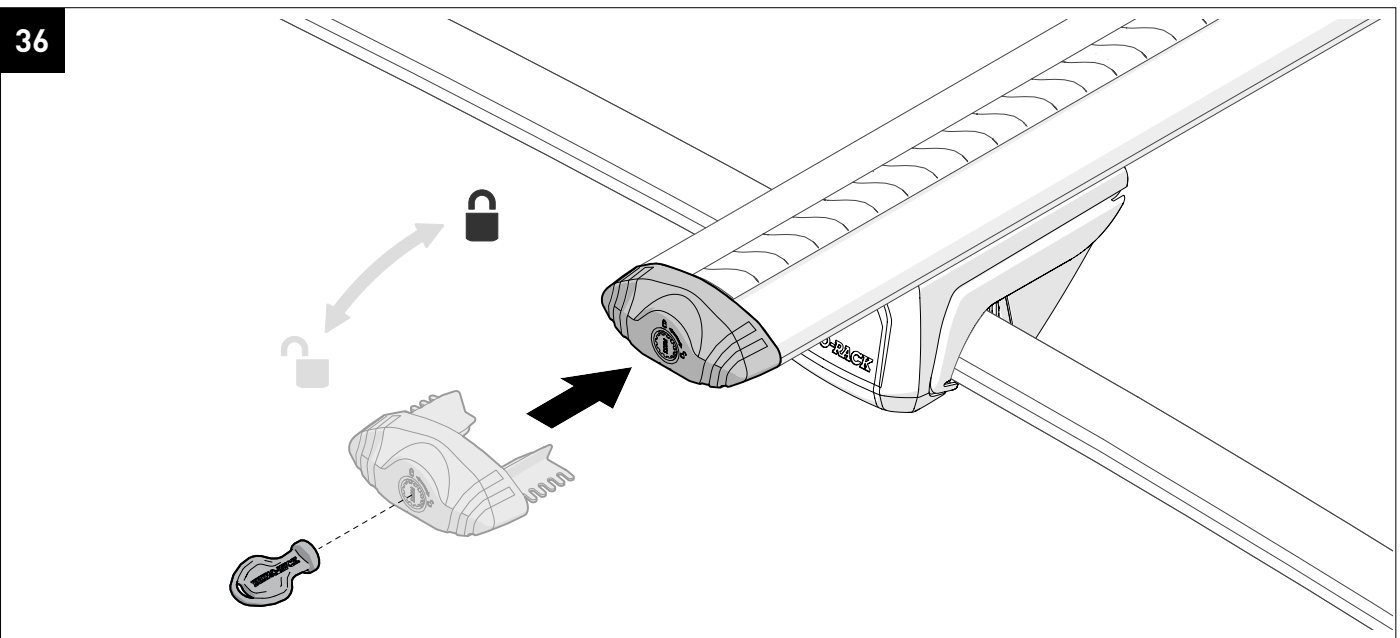
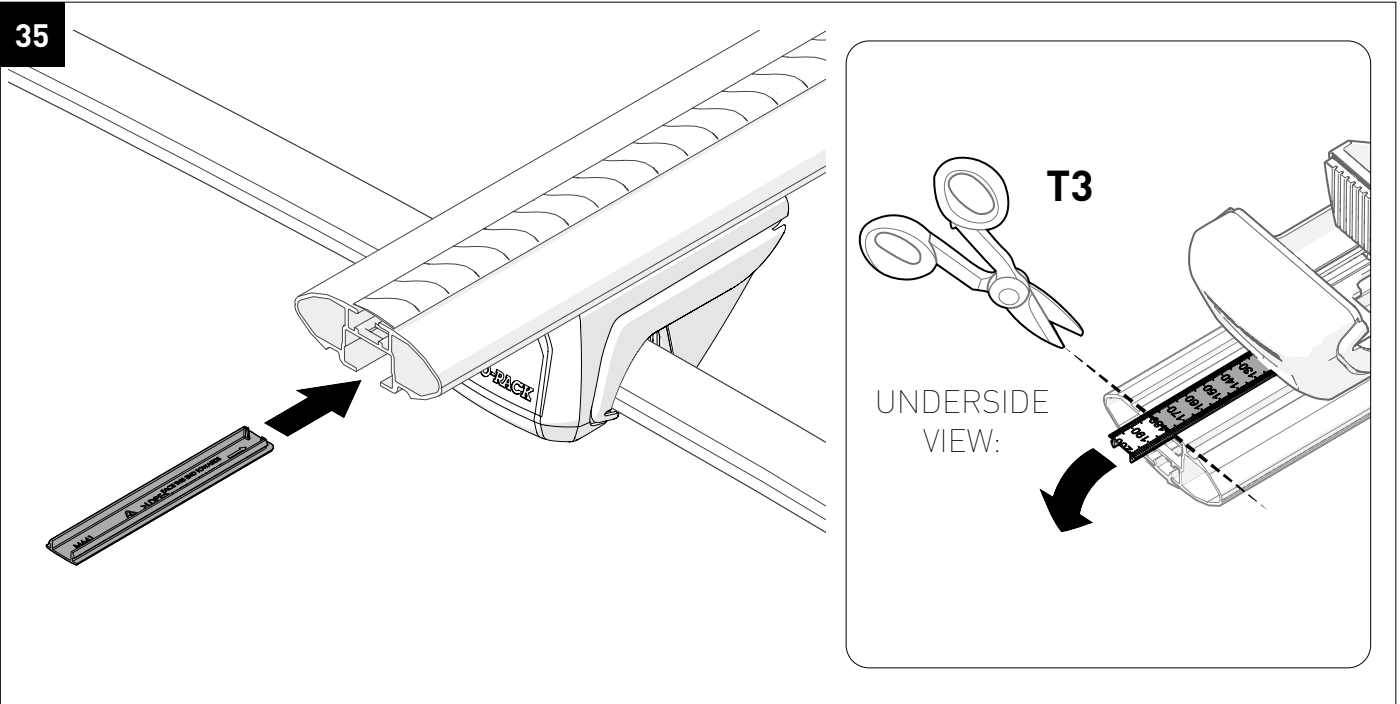
34

Incrementally tighten each leg so that crossbars/platforms are firmly set in position.



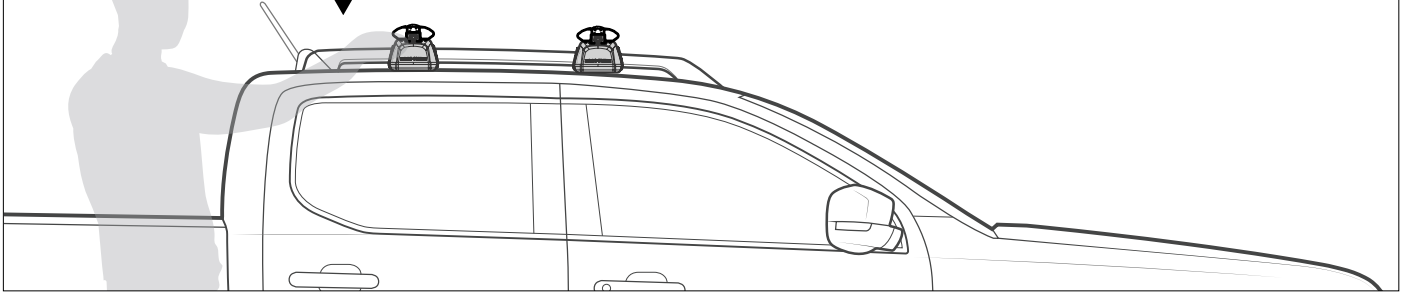
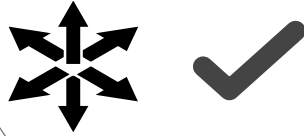
While incrementally tightening legs, check bar overhang is still equidistant.





38

Check fitment is secure before use.

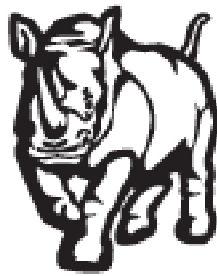


Vortex Bar Installation Complete.



NOTES

NOTES



RHINO-RACK®

MAKE SPACE FOR ADVENTURE

RHINORACK.COM

Rhino-Rack AUSTRALIA

22A Hanson Pl,
Eastern Creek, NSW, 2766

Rhino-Rack USA

19822 East 22nd Ave,
Aurora, CO, 80011