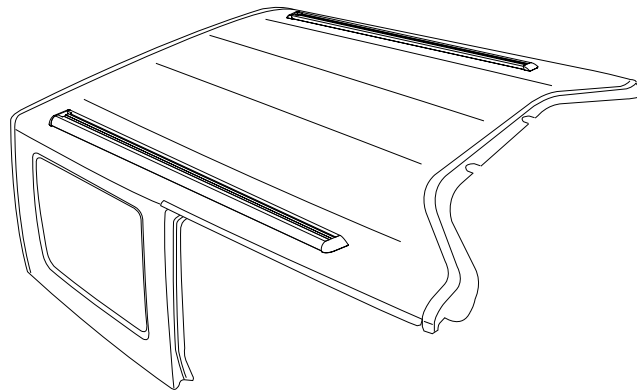


RHINO-RACK

RTC95JW (4dr) & RTC8JW (2dr) - JEEP Wrangler JK Hardtop

Rhino Track Mount System

Important: Please read these instructions carefully prior to installation. Please refer to your fitting instruction to ensure that the Rack System is installed in the correct location. Check the contents of kit before commencing fitment and report any discrepancies. Place these instructions in the vehicle's glove box after installation is complete. Clean the vehicles hardtop prior to fitting the Rhino Tracks.



NOTE: Hardtop must be removed from vehicle to facilitate fitting of the track system.

Important Information

Maximum load carrying capacity: 45kg/99lbs including weight of the roof racks **5kg/11lbs**. Any load carried must be evenly distributed over the crossbars.

Use only non-stretch fastening ropes or straps when attaching items to the crossbars.

Recommendations:

All bolt connections must be checked after driving a short distance when you first install your roof racks. Bolt connections should be checked again at regular intervals (once a week is enough, depending on road conditions, usage, loads and distances travelled). You should also check the condition of your roof racks each time they are re-fitted. Always make sure to fasten your load securely. Please also ensure that all loads are evenly distributed and that the centre of gravity is kept as low as possible. Long loads (e.g. canoes and kayaks) must be secured front and rear with non-stretch fastening ropes or straps.

Roof racks must be removed when putting vehicle through an automatic car wash.

Caution: The handling characteristics of the vehicle changes when you transport a load on the roof. For safety reasons we recommend you exercise extreme care when transporting wind-resistant loads. Special consideration must be taken into account when cornering and braking.

Off-road use:

Maximum permissible load is 45kg/99lbs for two crossbars including the weight of the roof racks, 5kg/11lbs. When roof racks are to be used in off-road conditions, please build a safety factor of 1.5 into this load limit. 22kg/48lbs for off-road use. Although the roof racks are tested and approved to AS1235-2000, off-road conditions can be much more rigorous. However, increasing the number of crossbars does not increase the vehicles maximum permissible roof loading.

Note for Dealers and Fitters:

It is your responsibility to ensure these fitting instructions are given to the end user or client.

Rhino-Rack 3 Pike Street, Rydalmere,

NSW 2116, Australia.

(Ph) (02) 9638 4744

(Fax) (02) 9638 4822

Document No: RR180

Prepared By: Craig Jones

Authorised By: Chris Murty

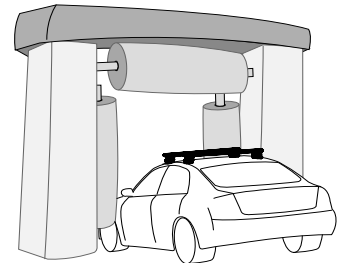
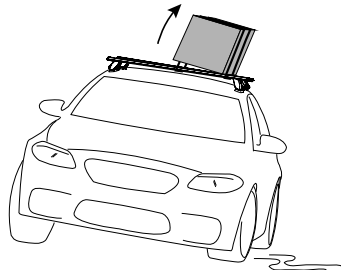
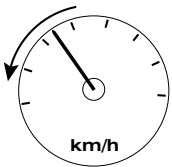
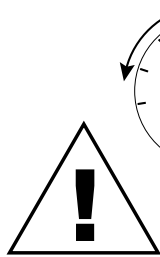
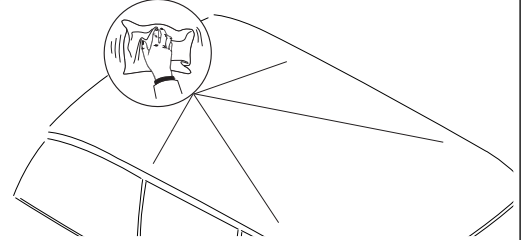
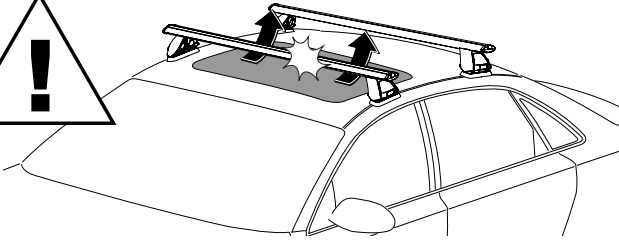
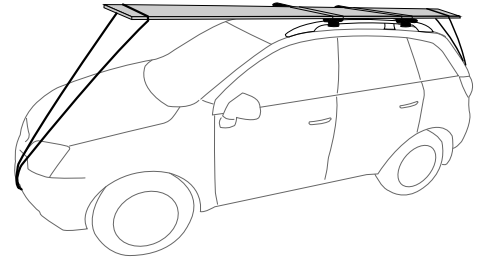
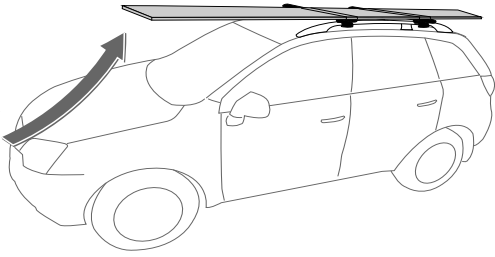
Issue No: 08

Issue Date: 15/10/2014

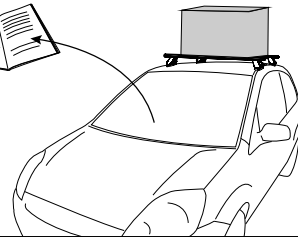
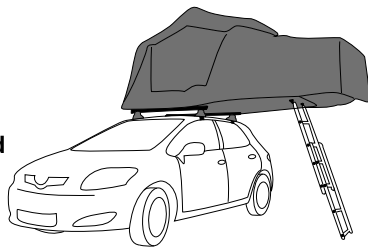
These instructions remain the property of Rhino-Rack Australia Pty. Ltd. and may not be used or changed for any other purpose than intended.



RTC95JW, RTC8JW

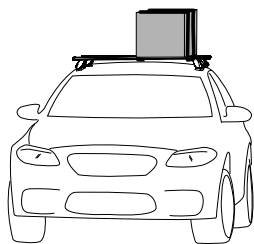


NOT Recommended



? kg

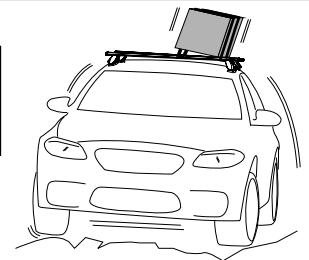
When these roof racks are to be used on a vehicle that is driven off sealed roads, the maximum roof rack load rating should be **divided by 2.0**. Do not forget to subtract 5kg from your maximum carrying capacity due to the weight of the crossbars and legs.



45kg/99lbs
load rating
(Urban road)

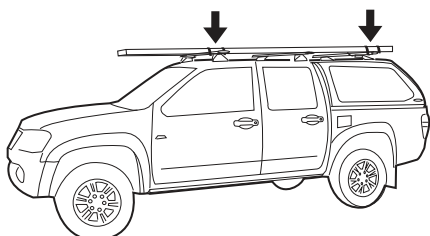
=

22kg/48lbs
load rating
(Off road)

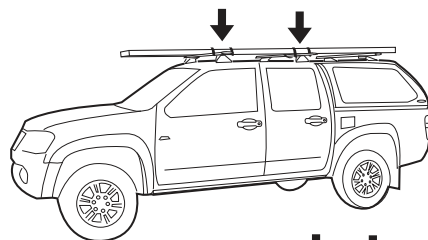


WARNING! Important Load Carrying Instructions

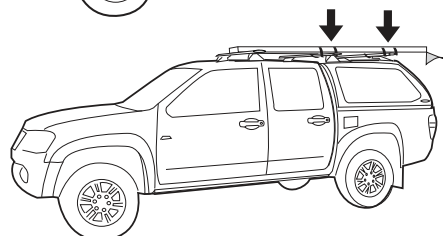
With utility vehicles, the cabin and the canopy move independently. Roof racks and vehicle can be damaged if the item transported is rigidly fixed at points on both the cabin and canopy. Instead, rigidly fix to either the cabin roof racks or the canopy roof racks.



X NO



✓ YES



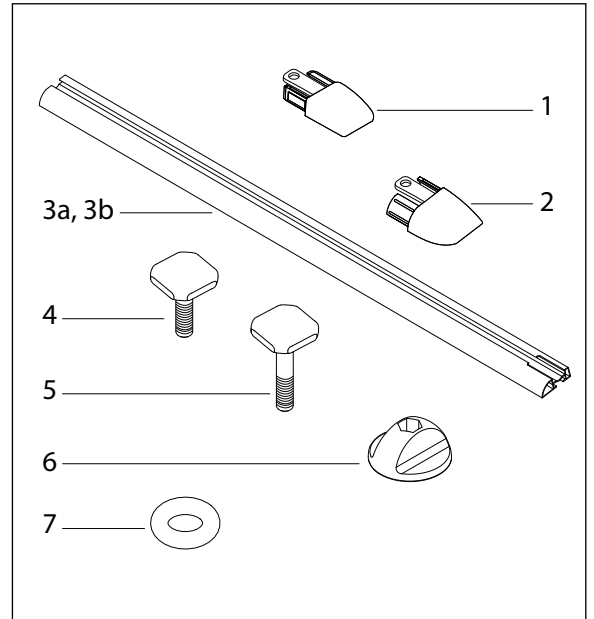
✓ YES



RTC95JW, RTC8JW

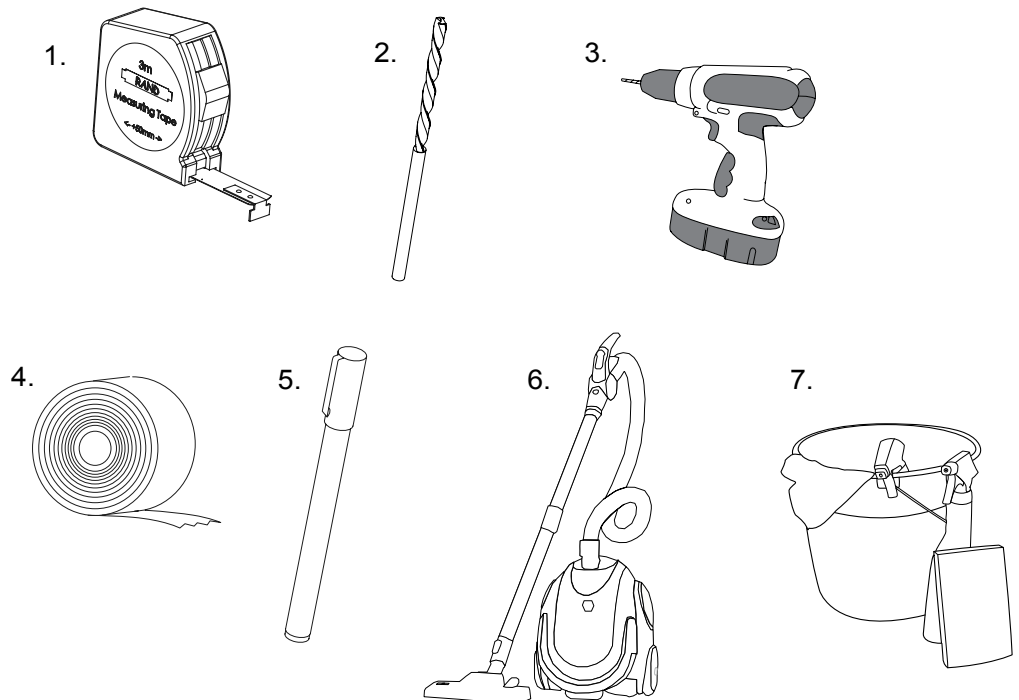
Parts List

Item	Component Name	Qty 2dr	Qty 4dr	Part No.
1	End Cap Front Left/Rear Right	2	2	M526
2	End Cap Front Right/Rear Left	2	2	M525
3a	Track 800mm	2	0	A256-800
3b	Track 950mm	0	2	A256-950
4	M6 x 35mm Square head bolt	0	10	B129
5	M6 x 45mm Square head bolt	12	2	B149
6	Plastic Knob incl. M6 nyloc nut	12	12	M175
7	6mm x 3mm O-ring	8	8	C347
8	Fitting instruction	1	1	RR180



Tools Required:

1. Tape Measure
2. 6.5mm Drill Bit
3. Drill
4. Masking Tape
5. Marker
6. Vacuum
7. Cleaning products



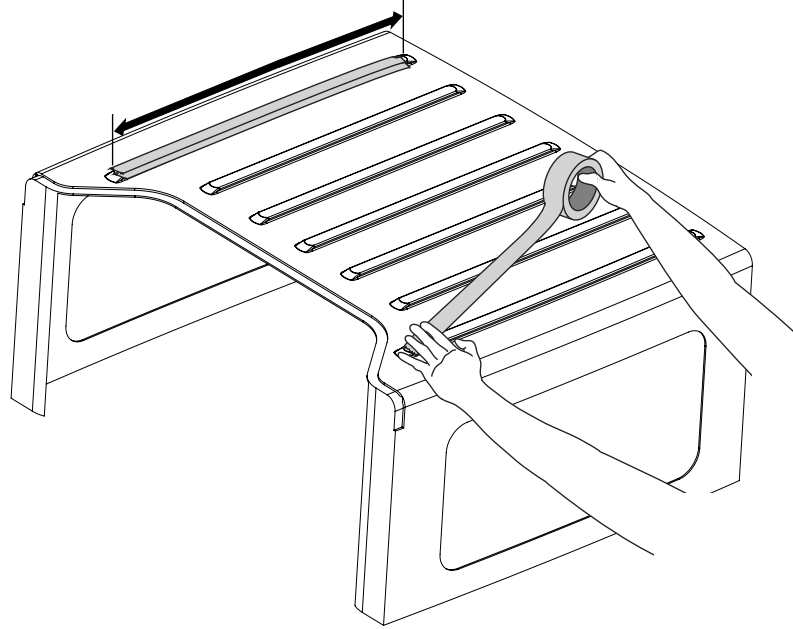


RTC95JW, RTC8JW

Steps 1-3 Jeep Wrangler 4dr

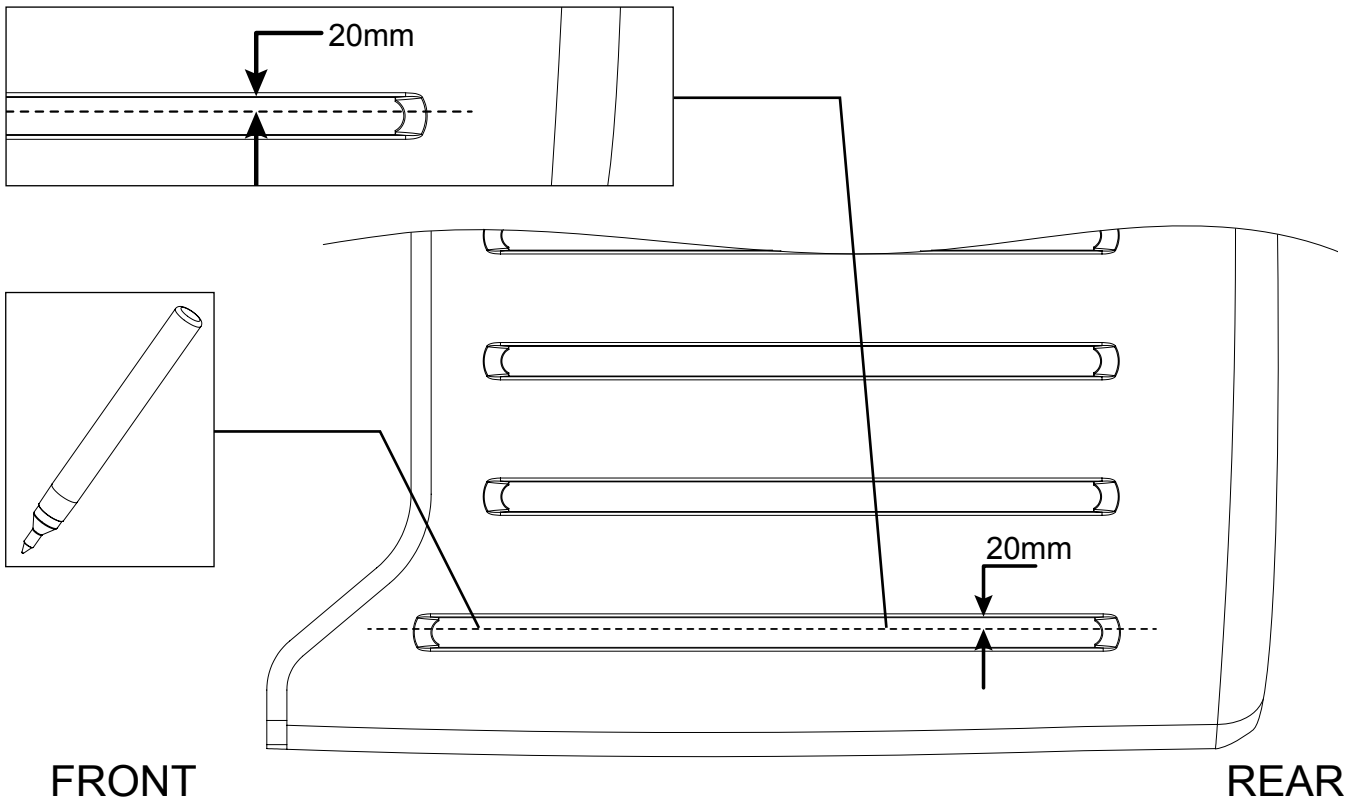
1 Jeep Wrangler 4dr.

Place masking tape onto the outer most rib of the hardtop to adequately cover the area to be drilled protecting the surface from being scratched during installation.



2 Jeep Wrangler 4dr.

The track will be positioned on the outer most raised rib of the hardtop. Mark three points along the hardtop rib at **20mm** from the inside edge. Use the track as a straight edge to draw a centreline. Repeat for opposite side. **IMPORTANT: Double check measurements to ensure tracks are close to parallel across the hardtop prior to drilling.**

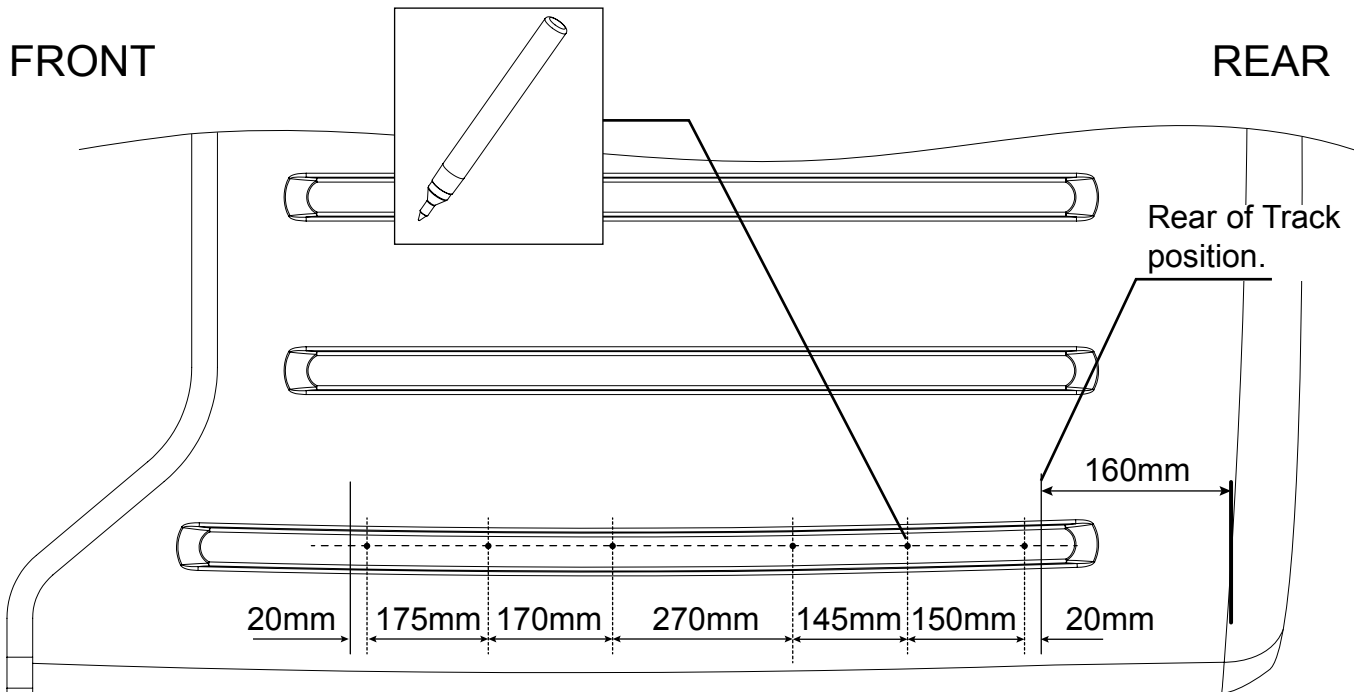




RTC95JW, RTC8JW

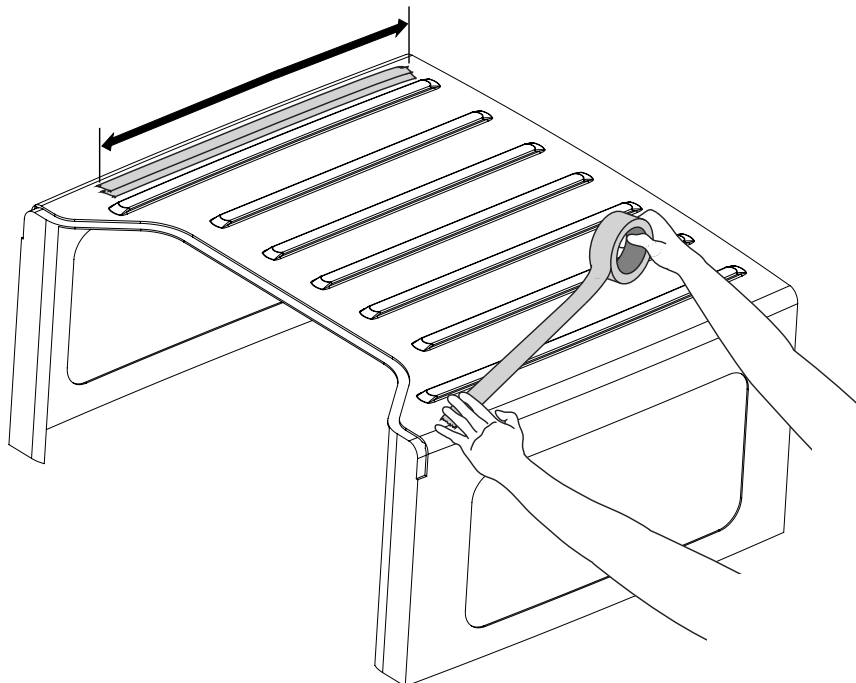
3 Jeep Wrangler 4dr.

Mark a line 160mm in from the groove at the rear of the hardtop, this is where the end of the track will sit. Refer to the image below and continue marking points at the measurements shown along the centre line that was drawn in Step 2. Repeat for opposite side. **IMPORTANT: Double check measurements prior to drilling.**



Steps 4-6 Jeep Wrangler 2dr

- 4 Place masking tape to the outside of the outer most rib of the hardtop to adequately cover the area to be drilled protecting the surface from being scratched during installation.

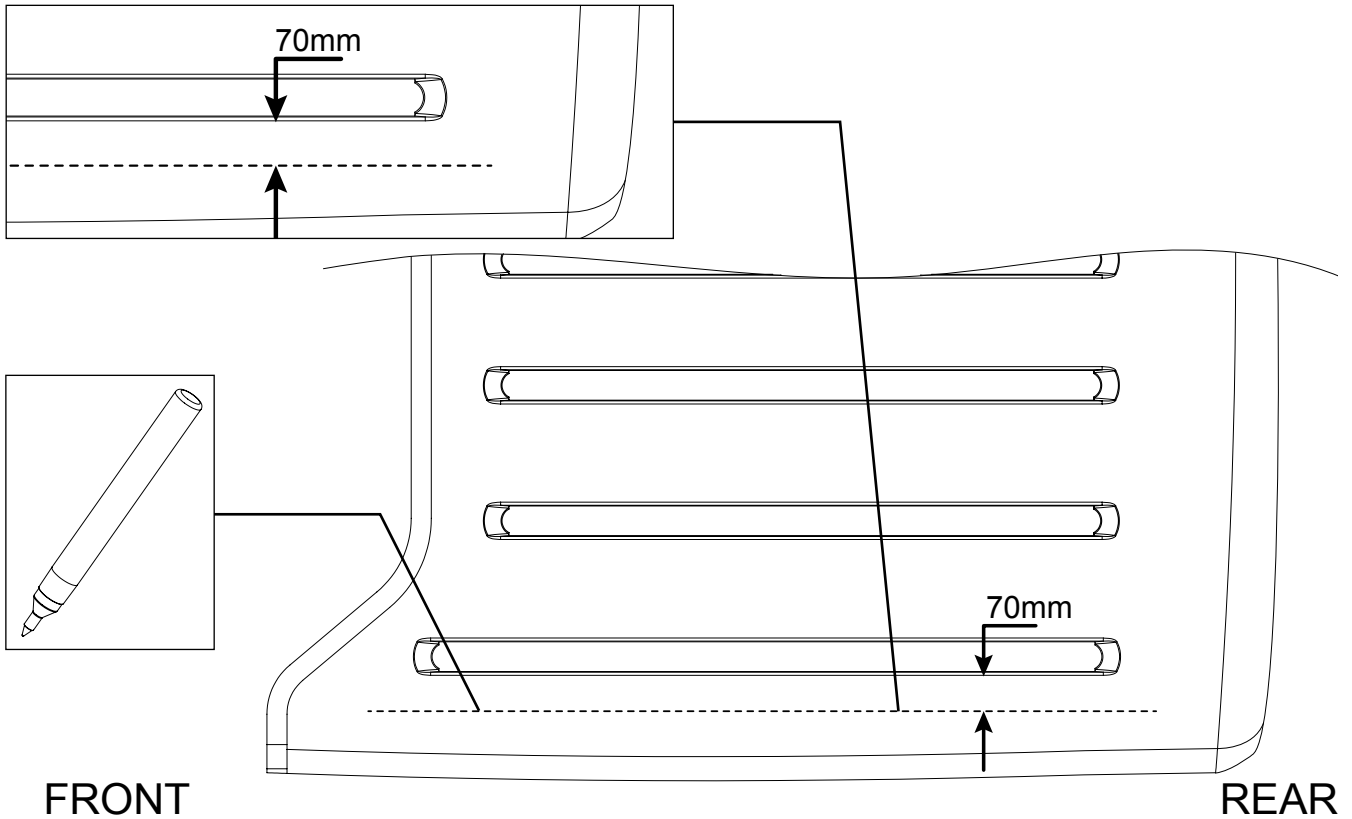




RTC95JW, RTC8JW

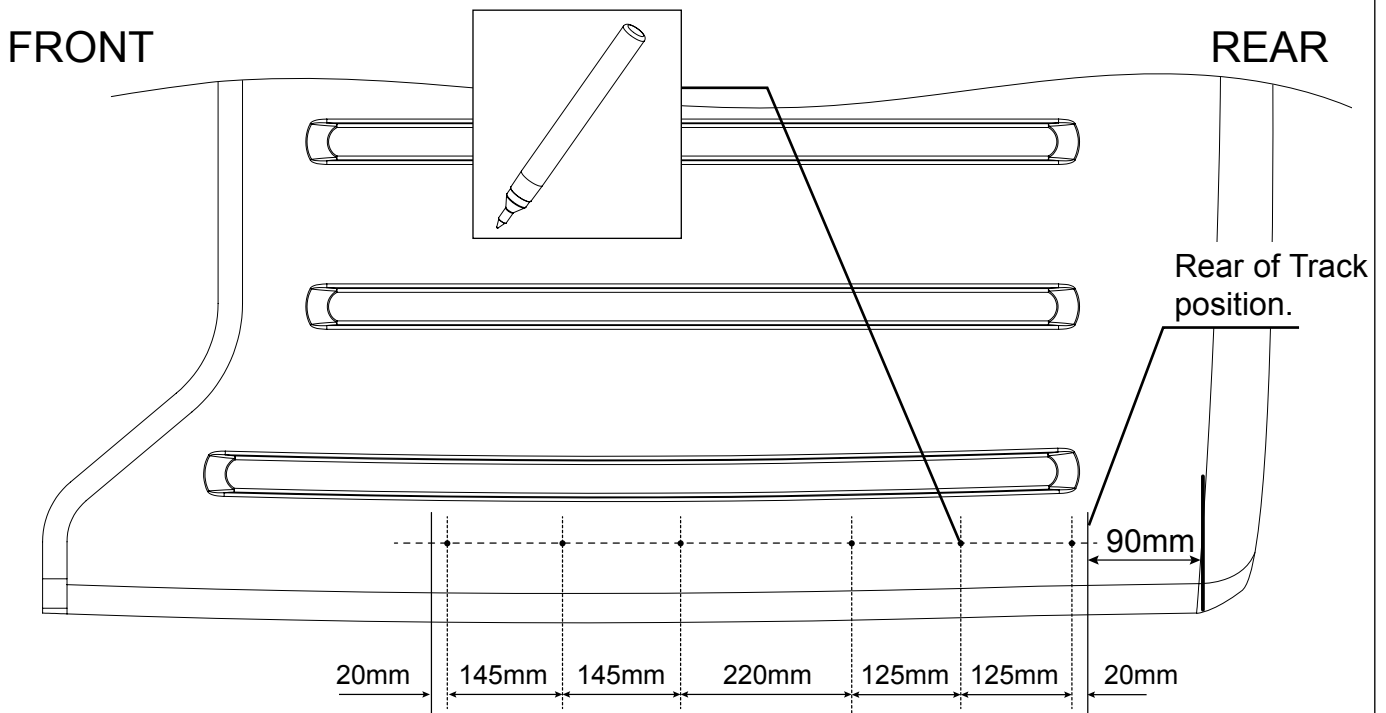
5 Jeep Wrangler 2dr.

The track will be positioned on the flat of the hardtop towards the edge. Mark three points along the hardtop at **70mm** from the edge of the raised rib of the hardtop. Use the track as a straight edge to draw a centreline. Repeat for opposite side. **IMPORTANT: Double check measurements to ensure tracks are close to parallel across the hardtop prior to drilling.**



6 Jeep Wrangler 2dr.

Mark a line 90mm in from the groove at the rear of the hardtop, this is where the end of the track will sit. Refer to the image below and continue marking points at the measurements shown along the centre line that was drawn in Step 5. Repeat for opposite side. **IMPORTANT: Double check measurements prior to drilling.**





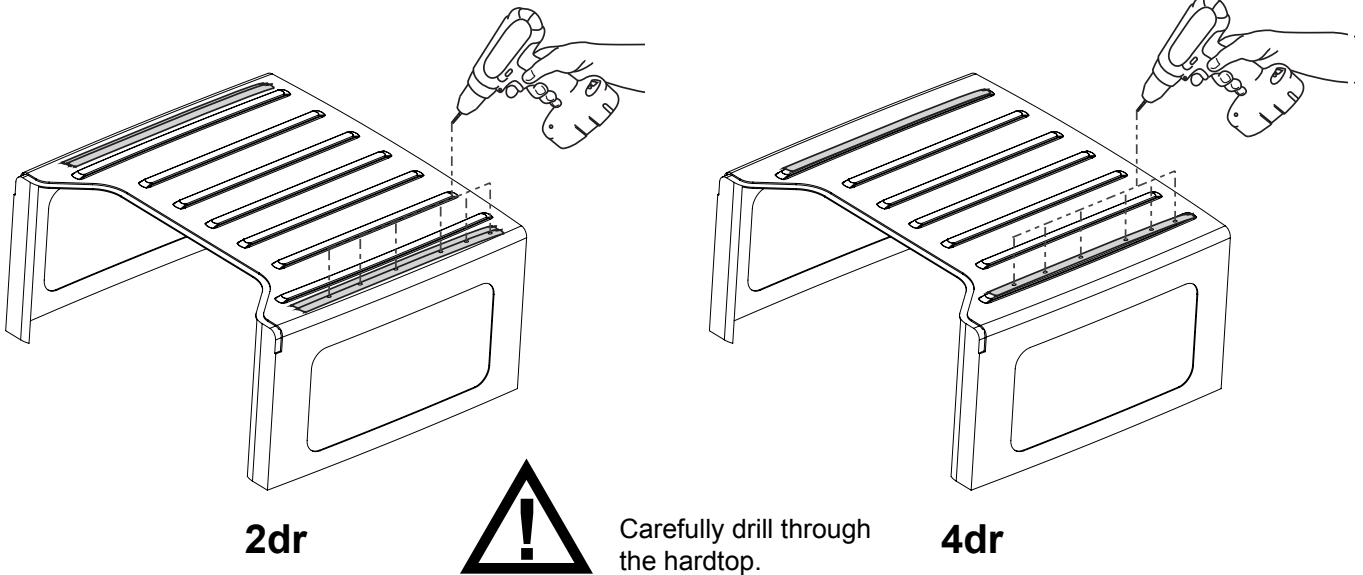
RTC95JW, RTC8JW

7 Jeep Wrangler.

Using a sharp $\text{\O}6.5\text{mm}$ drill bit, hold the drill perpendicular to the surface and proceed to drill. Make sure both the inner and outer skins are drilled through. Use care and reduce pressure on the drill when breaking through the inside of the hardtop. Repeat process for opposite side.

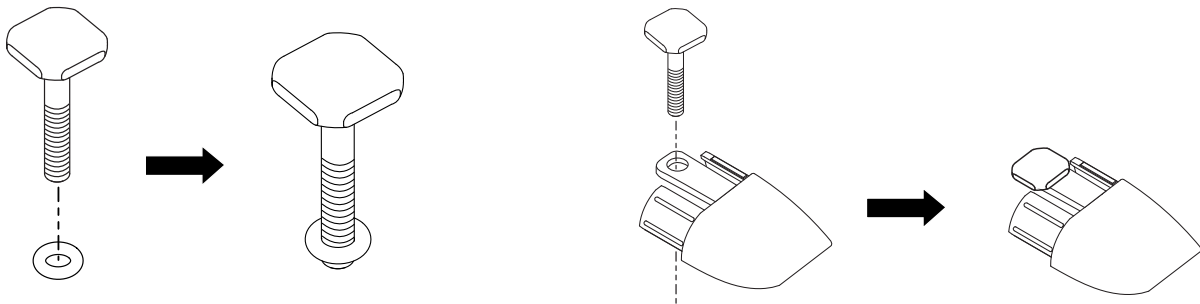
Remove drill swarf with a vacuum to avoid scratching the hardtop, then finally wipe with a soft cloth.

Remove masking tape.



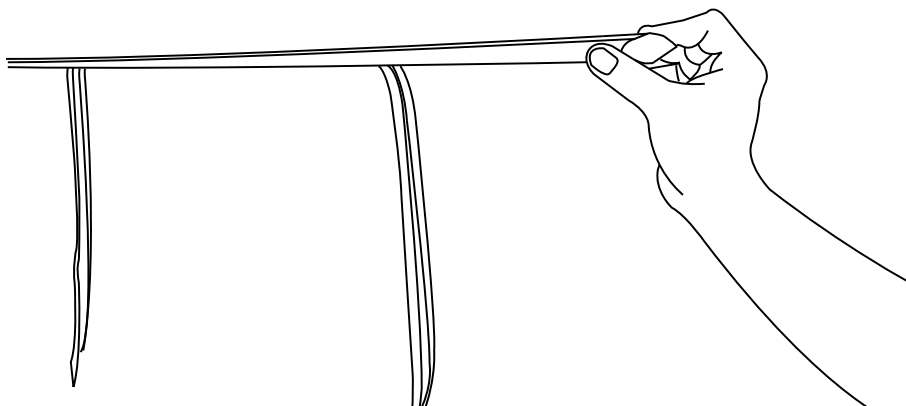
8 Attach O-rings.

Install rubber O-rings onto square head bolts. **NOTE:** O-rings are not required for the end caps. Locate an M6 x 35mm square head bolt through the tab in each of the end caps.



9 Backing tape.

Peel all strips of white backing tape off the underside of each track prior to installation.



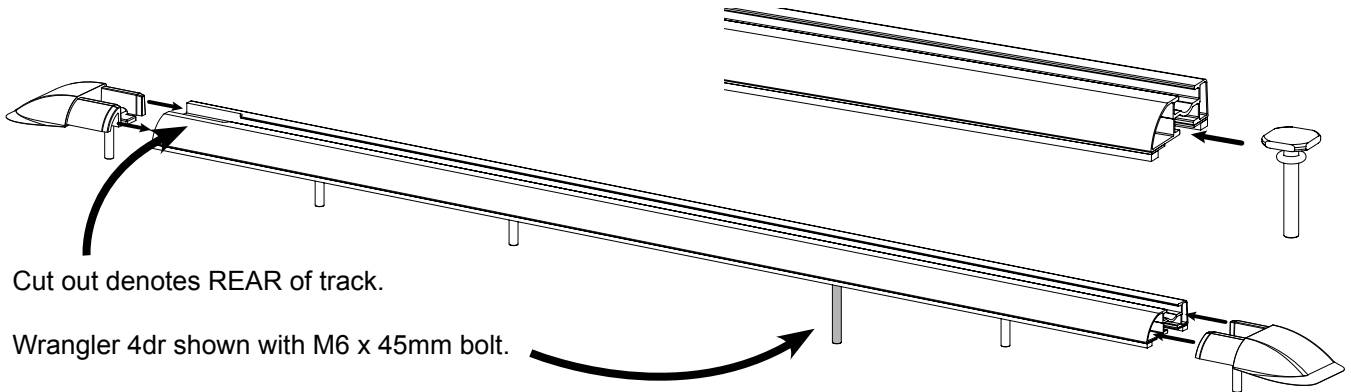


RTC95JW, RTC8JW

10 Install hardware.

Locate square head bolts in the C-groove on the under side of the track.

**NOTE: Wrangler 4dr uses an M6 x 45mm square head bolt in the THIRD HOLE from front.
Wrangler 2dr uses all M6 x 45mm square head bolts throughout.**

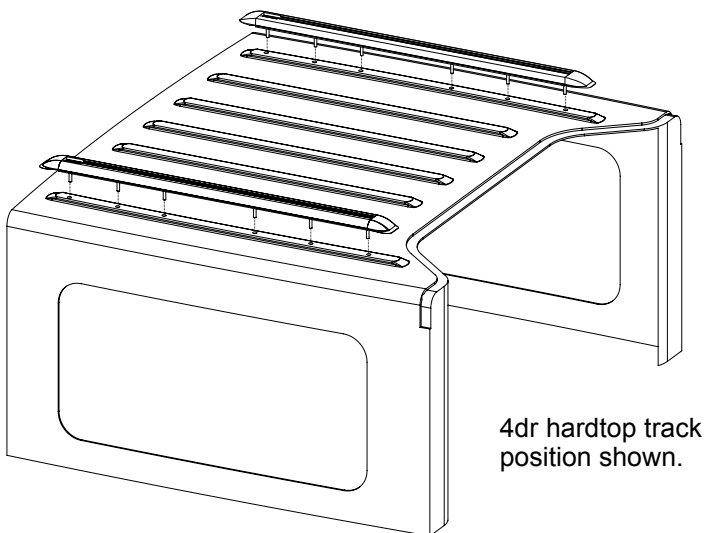


Cut out denotes REAR of track.

Wrangler 4dr shown with M6 x 45mm bolt.

11 Attach track to hardtop.

Line up each of the bolts with the holes drilled and push through.

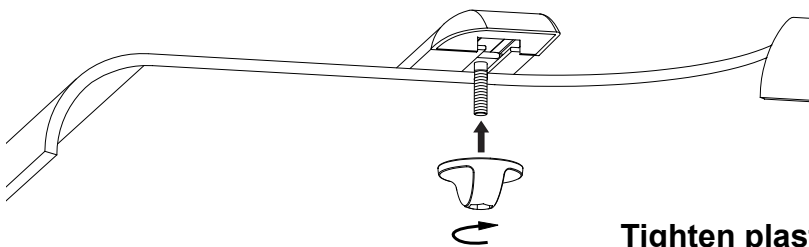


Slot to rear of hardtop.

4dr hardtop track position shown.

12 Fasten track.

Finger tighten all plastic knobs to locate the track. Start final tightening from the centre and work towards the ends. Use care when tightening the plastic knobs by making sure not to deform the inside of the hardtop by overtightening. **DO NOT OVER TIGHTEN.**



Tighten plastic knobs in order shown below.

